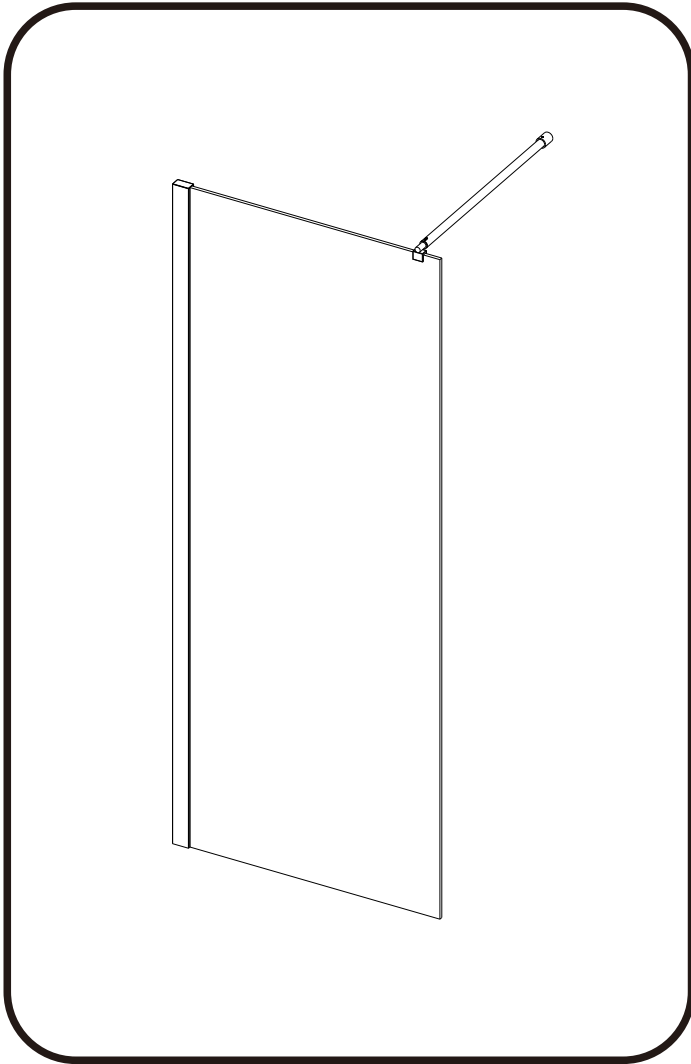


# Model No:ITALIAN WALK IN

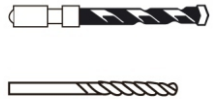
## INSTALLATION INSTRUCTIONS



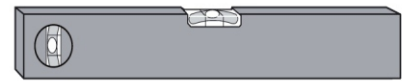
### Tools Required



**Drill**



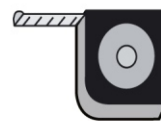
6mm Masonry Drill  
3.2mm HSS Drill



**Spirit level**



**Sealant Gun**



**Tape Measure**



**Pencil**



**PH2 TYPE  
Screwdriver**

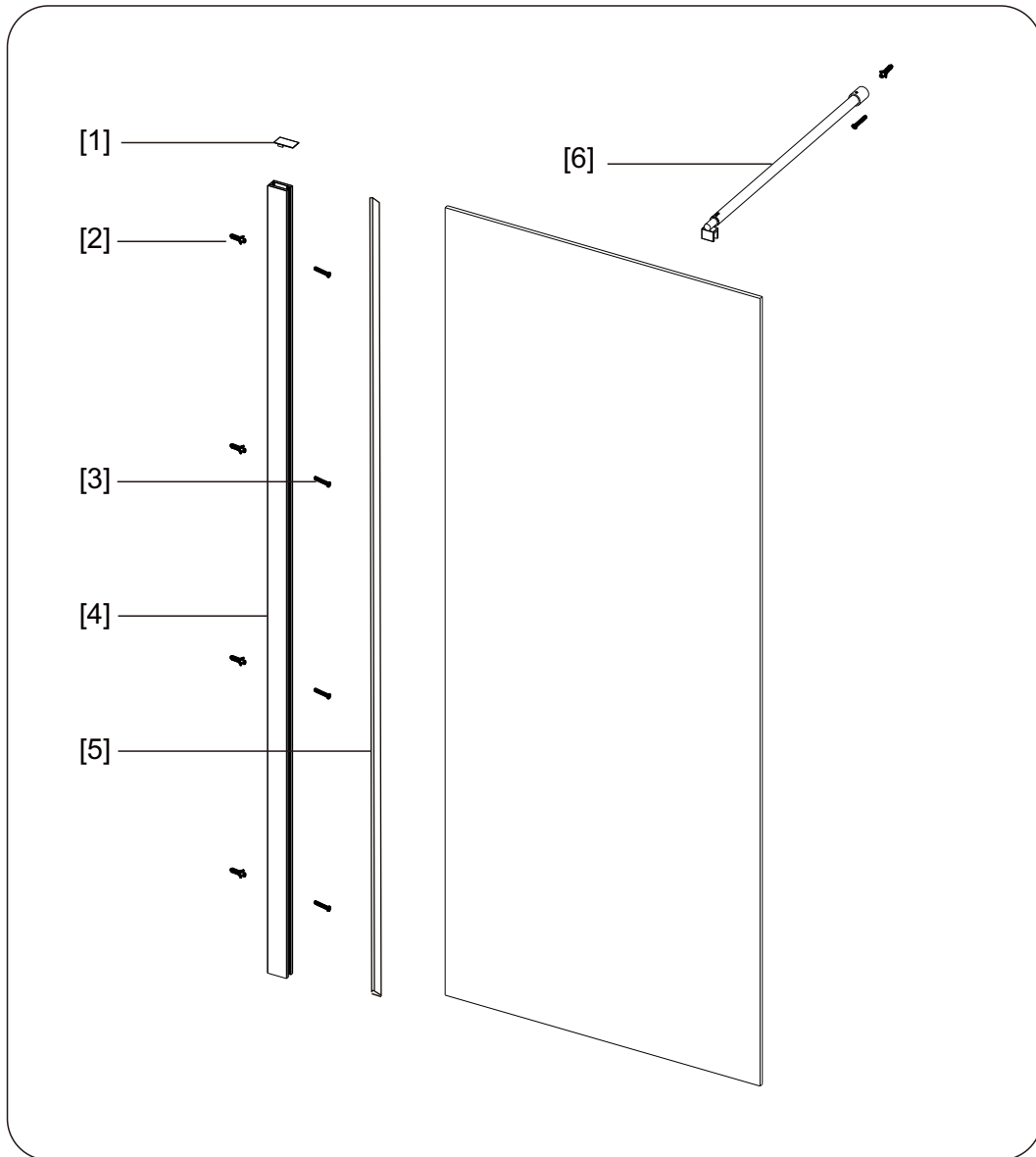
Please not hand tools NOT supplied.

## IMPORTANT

These instructions assume that installation is done against solid/tiled walls.

The wall plugs supplied with the installation kit are for use on solid walls. Hollow or stud-partition walls will require alternative fixings. Please consult with a reputable trades person or hardware supplier for the correct type of fixing.

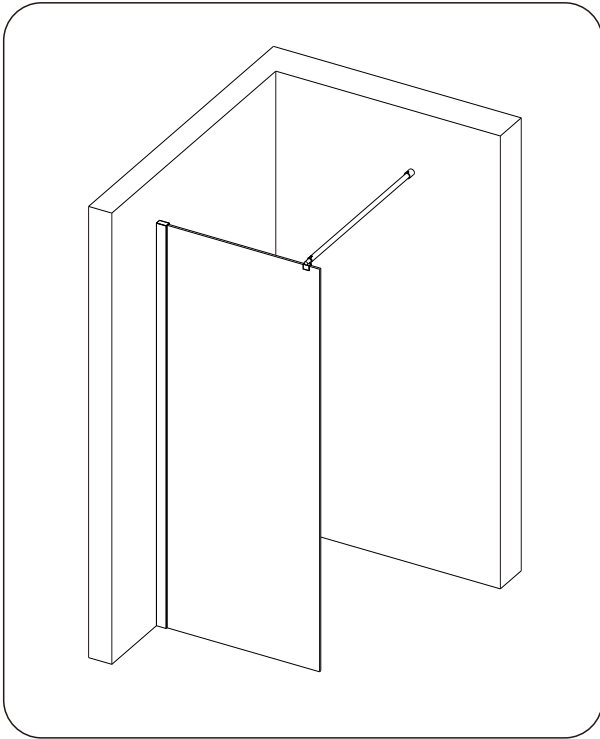
It may also be necessary to consult your tiling supplier about the correct method drilling your tiles.



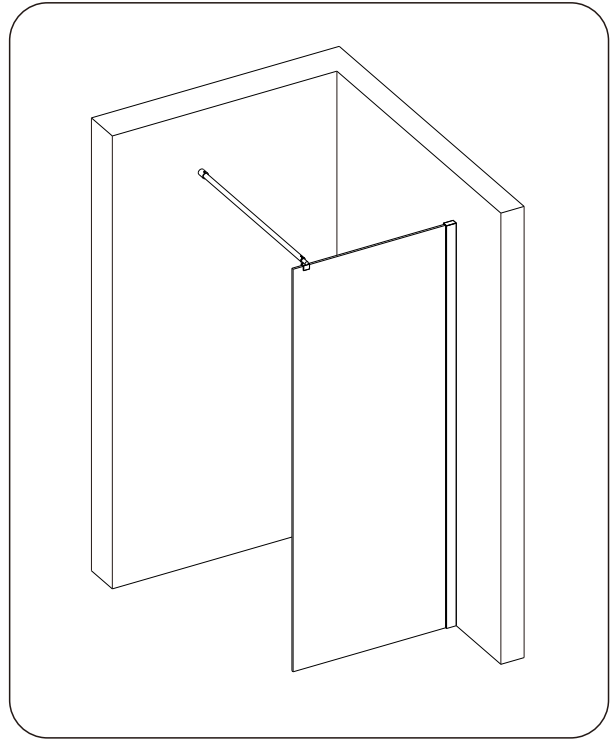
NO.	Description	Qty
1	Profile Cover Cap	1
2	Wall Anchor	5
3	Round Screw M4x30	5
4	Wall Profile	1
5	T Shaped Seal	1
6	Stainless Steel 304 Round Extension Bar 700-1100mm	1

# ◆ Installation Steps

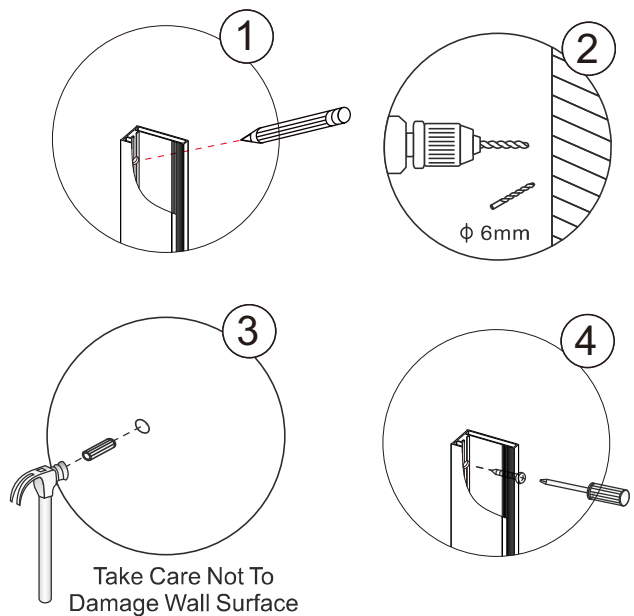
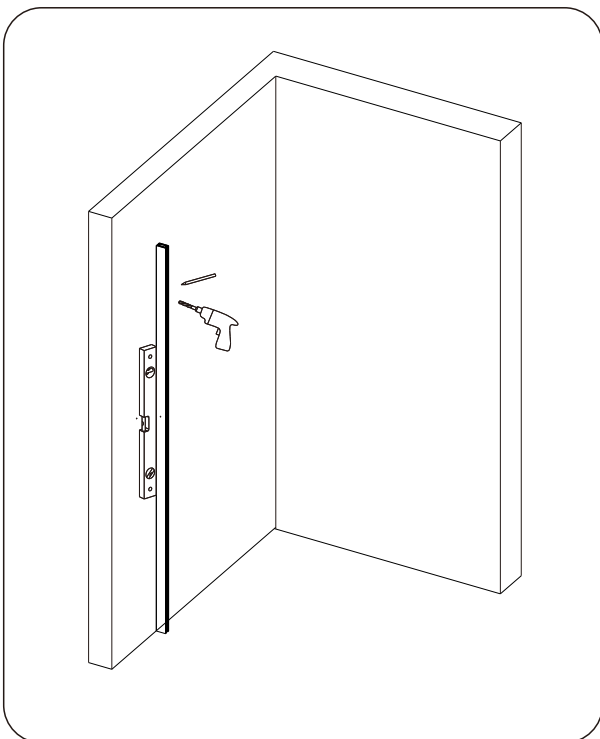
## Step 1



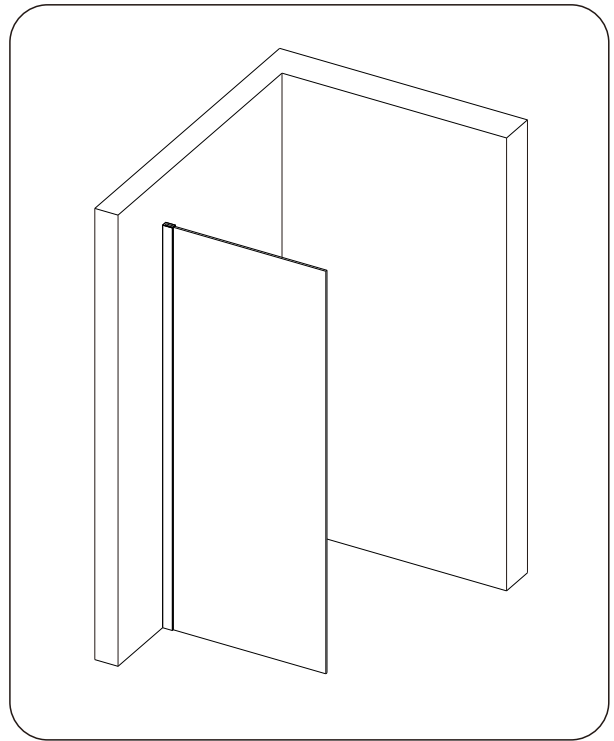
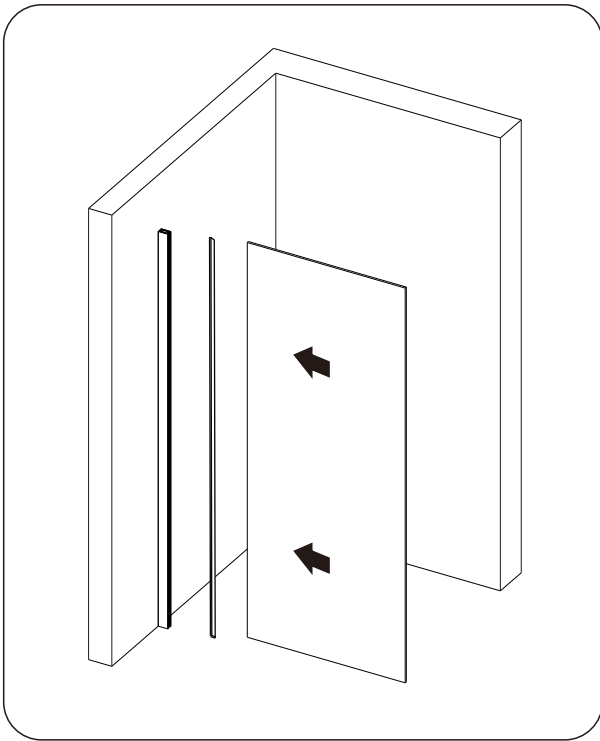
OR



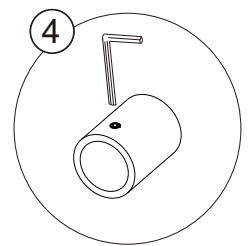
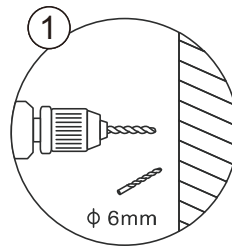
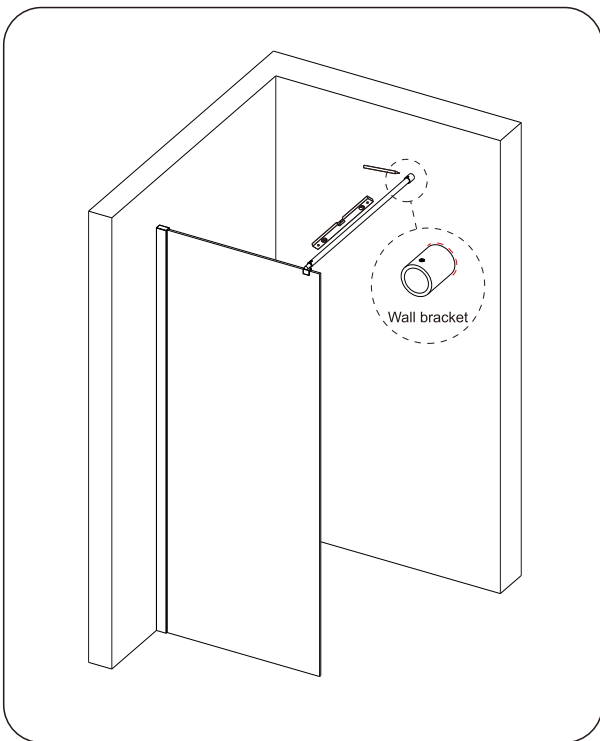
## Step 2



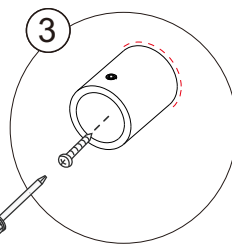
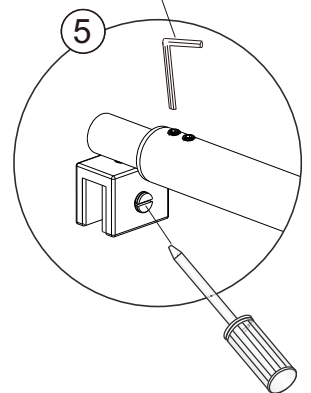
### Step 3



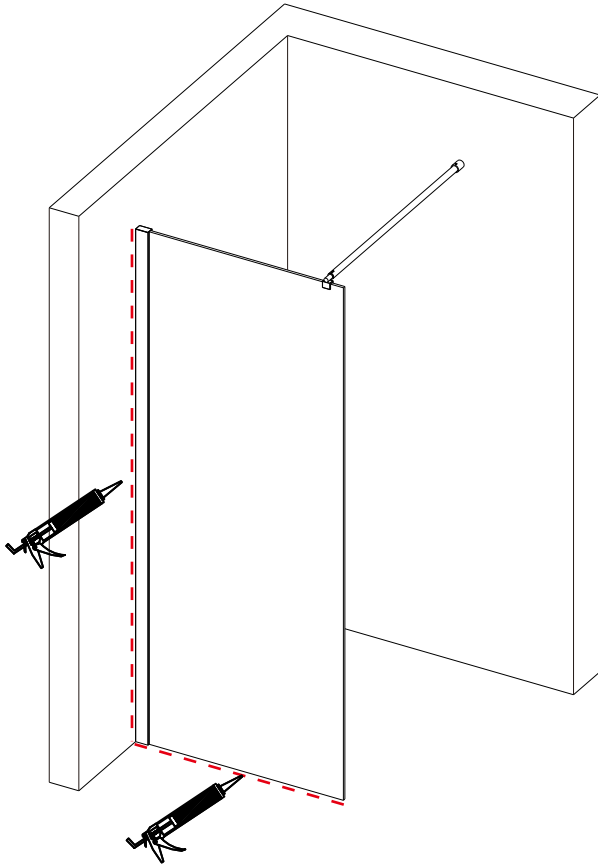
### Step 4



Adjustable support rod length



## Step 5



**Allow 24 hours for silicone to dry before use.**

**Silicone on the outside edge only**