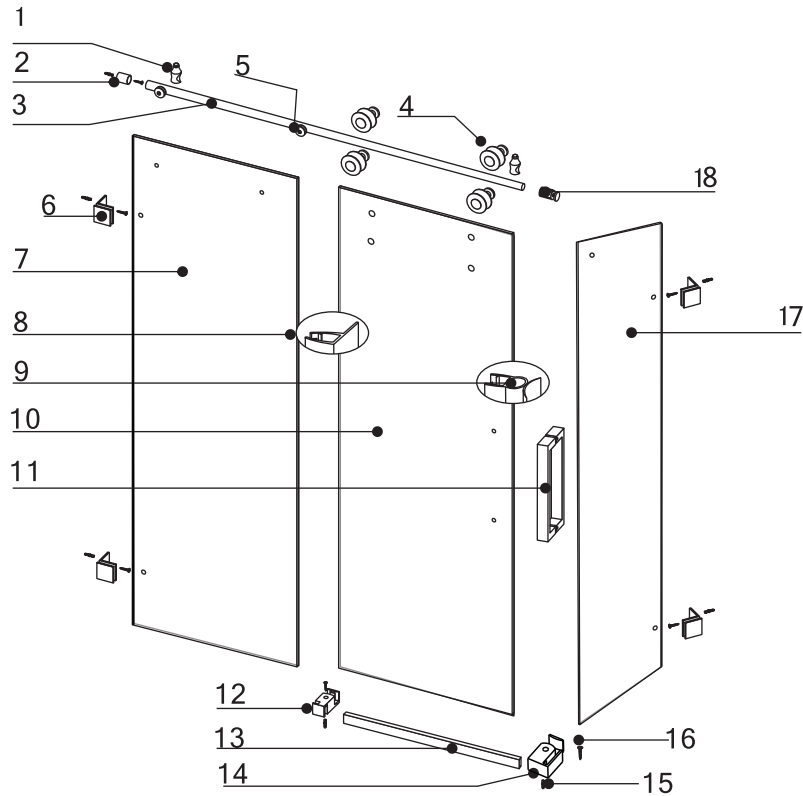
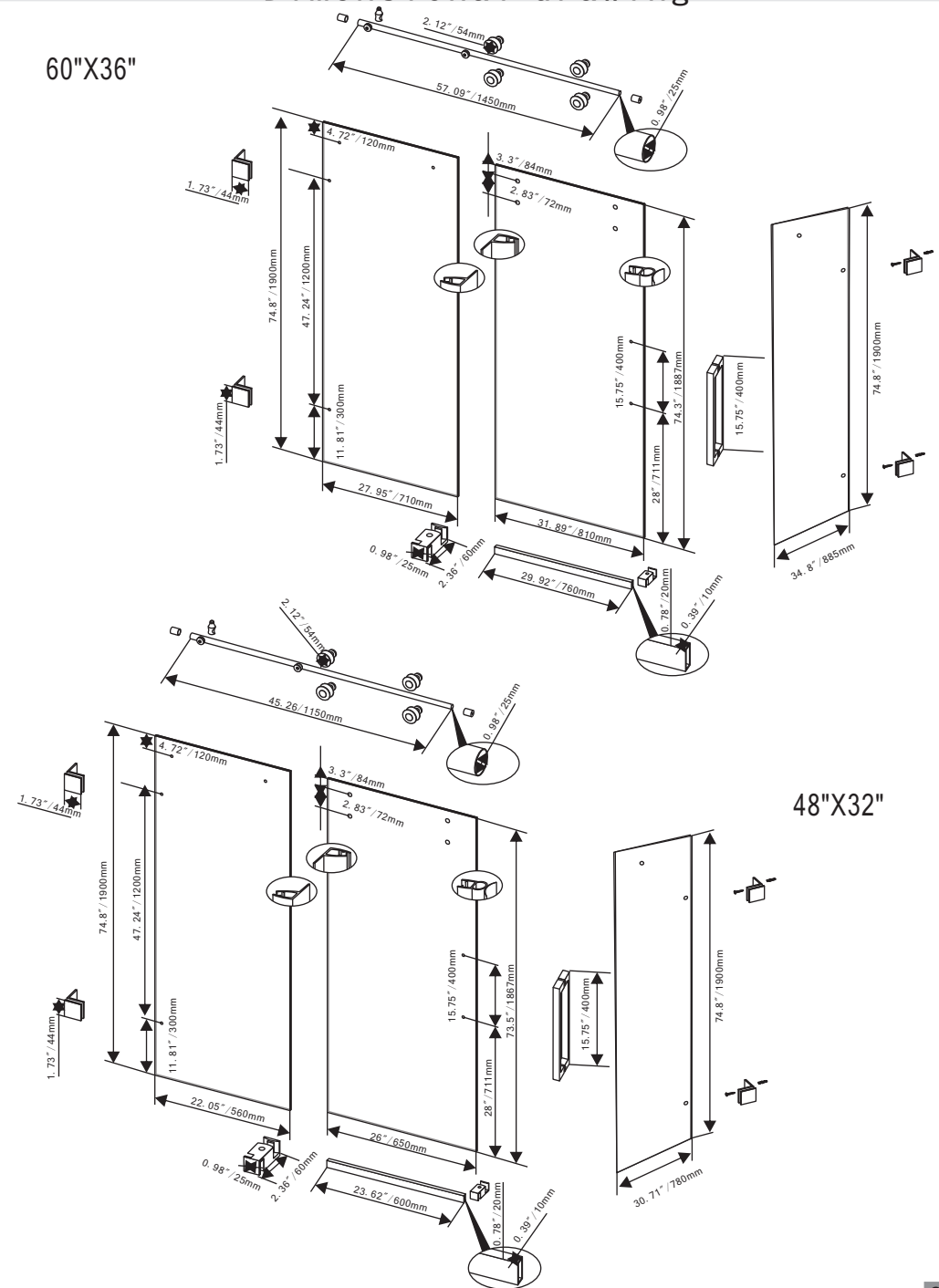


Parts Identification

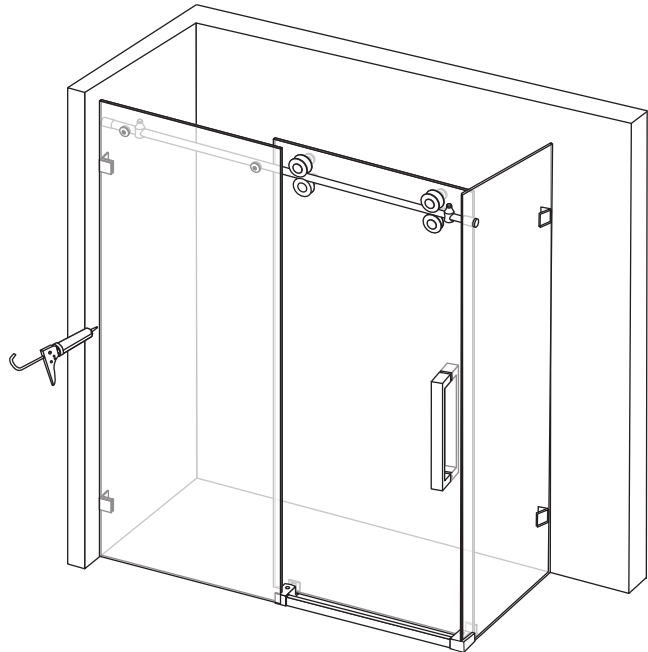
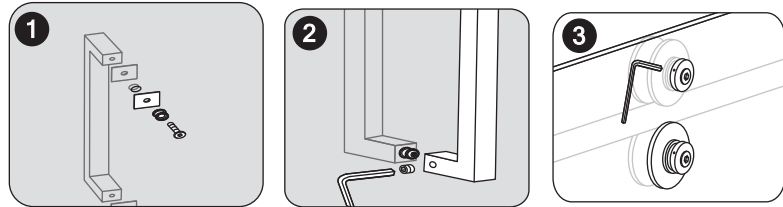


60"X36"



- | | | | | |
|----------------------|----------|----------|----------|----------|
| 1
X2 | 2
X1 | 3
X1 | 4
X4 | 5
X2 |
| 6
X4 | 7
X1 | 8
X2 | 9
X1 | 10
X1 |
| 11
X1 | 12
X1 | 13
X1 | 14
X1 | 15
X7 |
| 16
ST3.9*32
X7 | 17
X1 | 18
X1 | | |

10



Attentions:
 Showering is banned within 24 hours after silicone; If bad weather such as rainy days or in winter, longer time is needed.

CONTINUED

