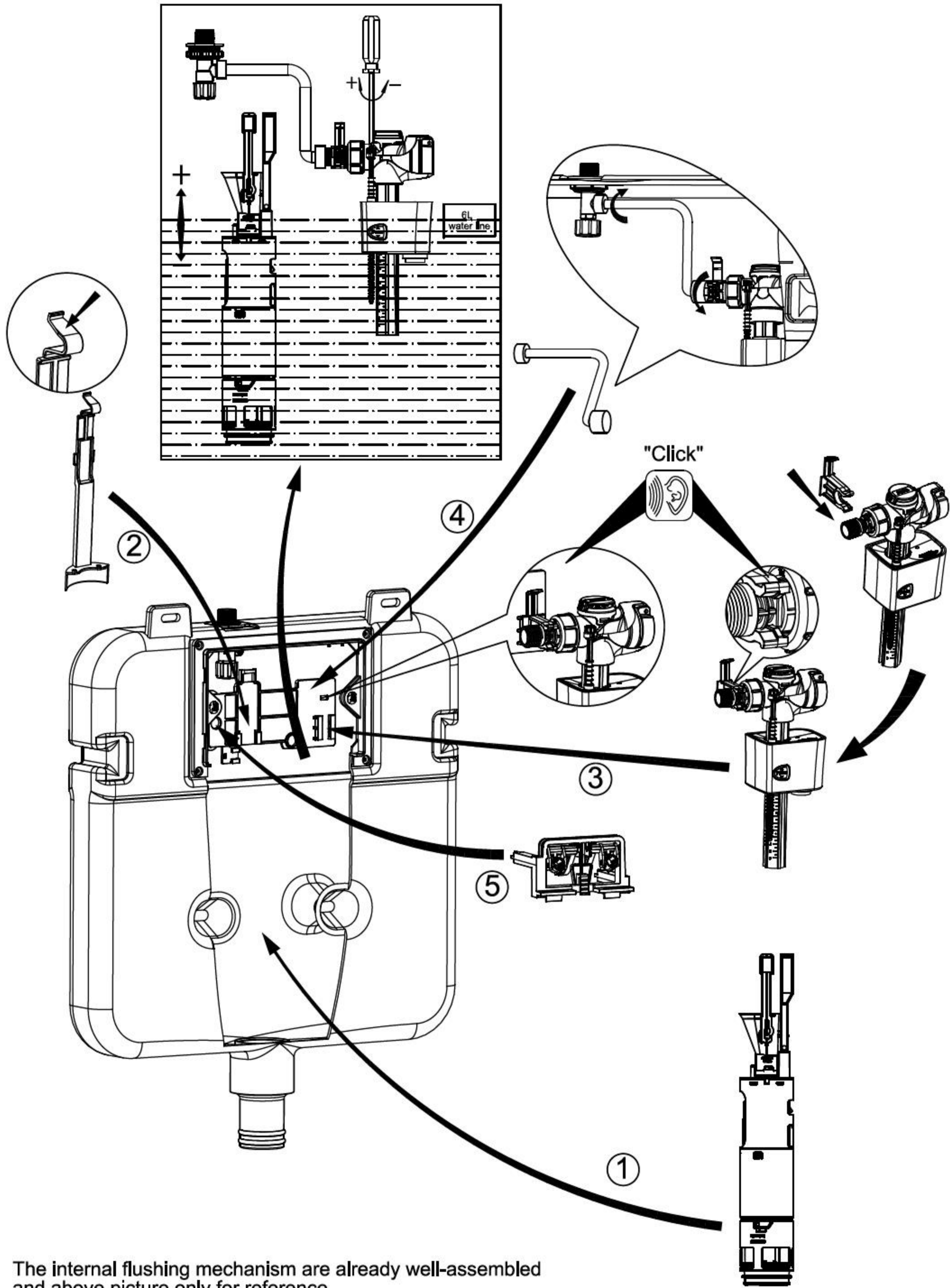
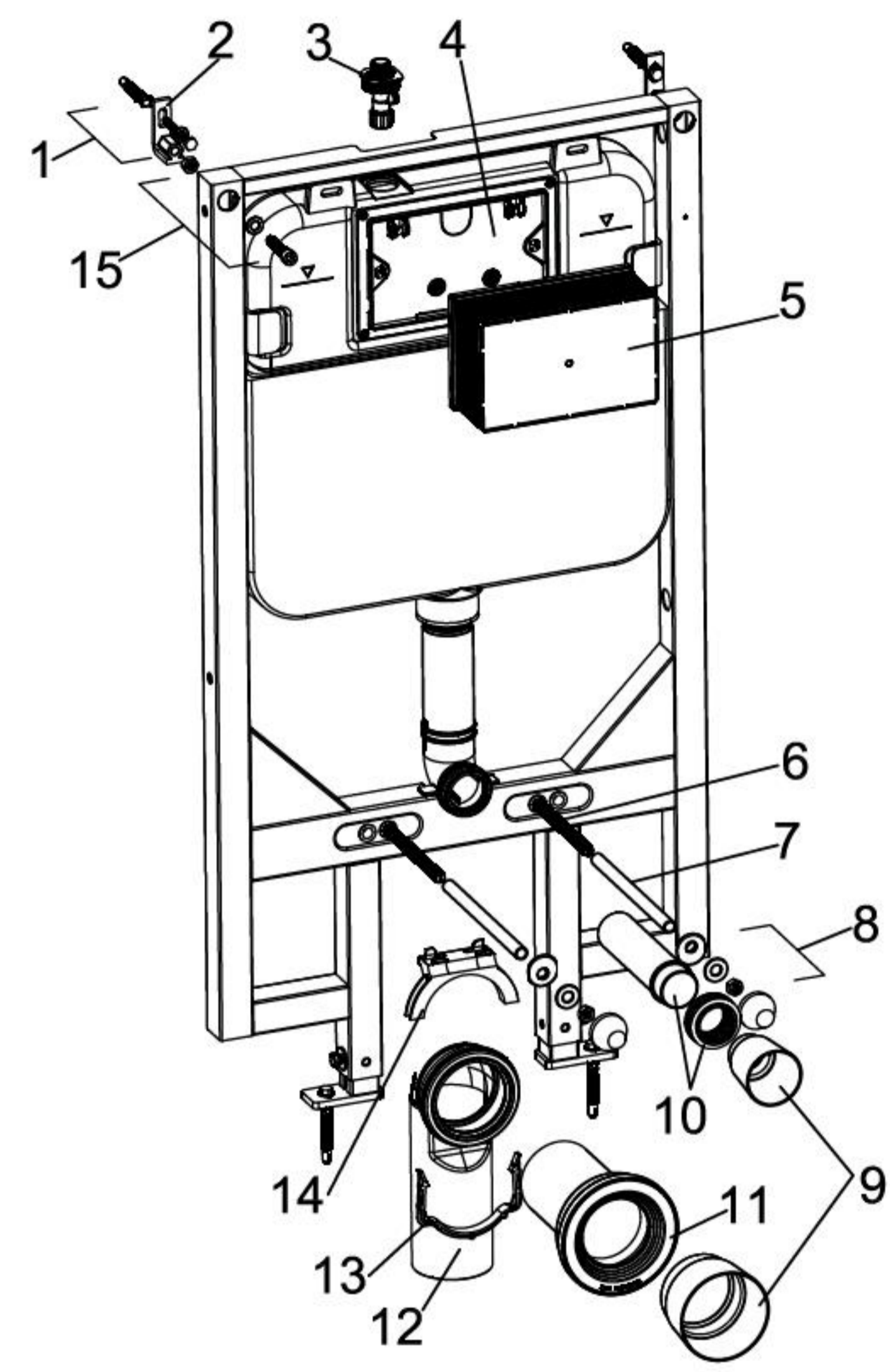


10. Internal flushing mechanism assembly drawing



ASGFA30034000A-1.0

- Frame-structure
- Concealed Cistern
- Installation Manual



List of main installation accessories

NO.	Description	Qty	Function
1	Expansion screw	4	Mounting of frame and wall bracket
2	Wall bracket	2	Fixation of frame
3	Angle valve	1	Fill valve inlet and shut-off
4	Cistern cover	1	Airproof tank and mounting of locking bracket
5	Plastic holder	1	To reserve space for installation of actuator at wall building To prevent dust and impurities into tank at wall building
6	Connecting screw	2	To mount ceramic bowl
7	Protective cover	2	To protect connecting screw at wall building
8	Ceramic bowl fixing accessories	2	To mount ceramic bowl
9	Piping stopper	2	To reserve space for straight tube and connecting pipe
10	Straight tube	1	To joint cistern into ceramic bowl
11	Connecting pipe	1	(cutting in accordance with wall thickness)
12	Discharge pipe	1	To discharge liquid and solid waste from ceramic bowl.
13	Mounting bracket	1	To mount draining syphon
14	Discharge pipe holder	1	
15	Socket head screw	2	Mounting of frame and locking into wall bracket

Important instruction:

1. Please adhere to the following installation instructions. We shall not be responsible for failures and loss that are contributed to improper installation.
2. Please confirm the fixation location of cistern prior to installation and obtain the finished floor surface. Draw FFL on installation wall and follow it as baseline from ZERO (0) level.
3. The instructions have been composed based in the latest product specifications. We reserve the right to make modifications to the packaging and specifications without providing prior notification.

NOTES:

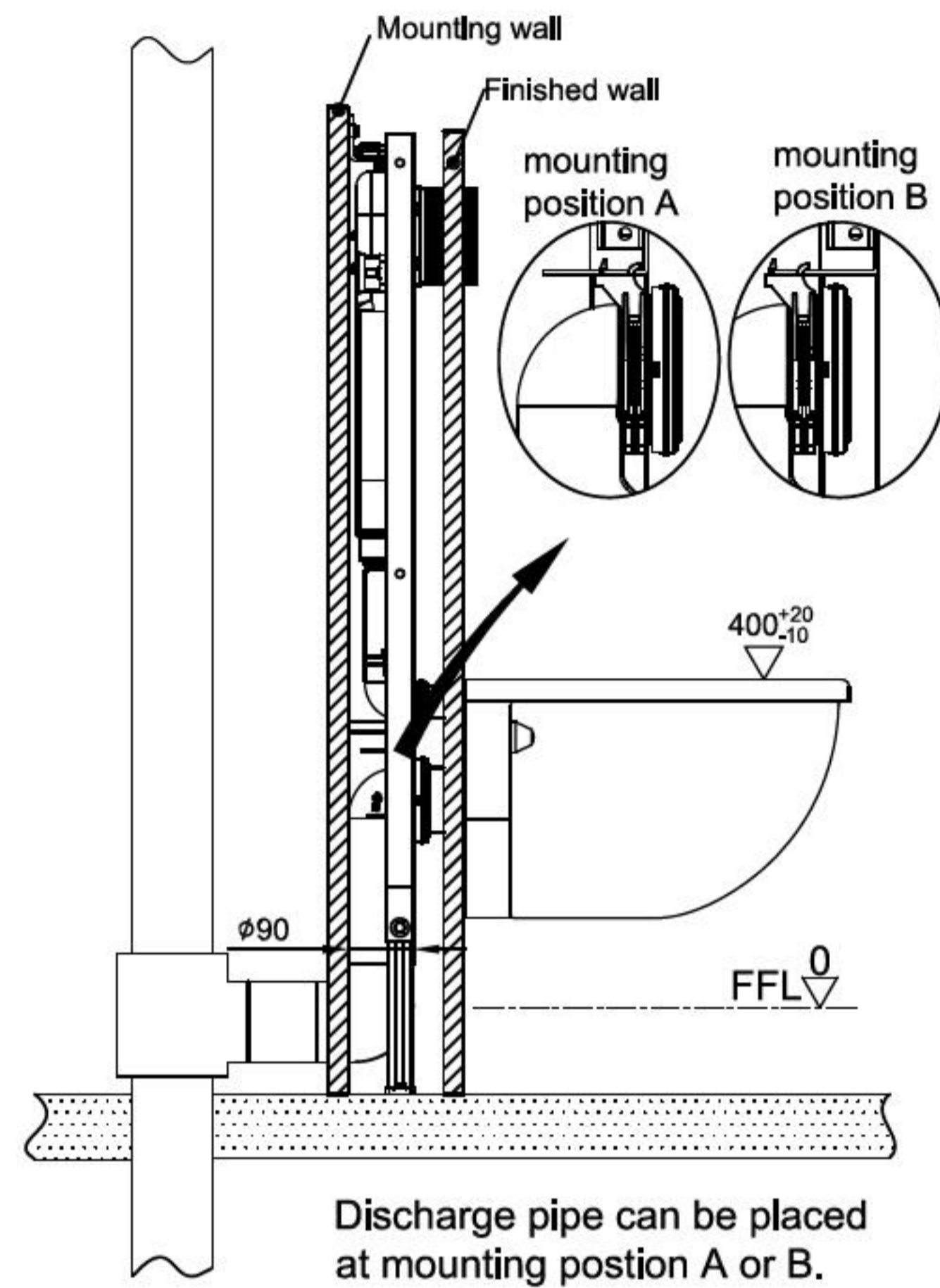
1. Mount before bricks building.
2. All size unit in MM.
3. Follow the material product, should there is an unconfornity with drawing.

⚠ FFL₀ = Finished Floor.

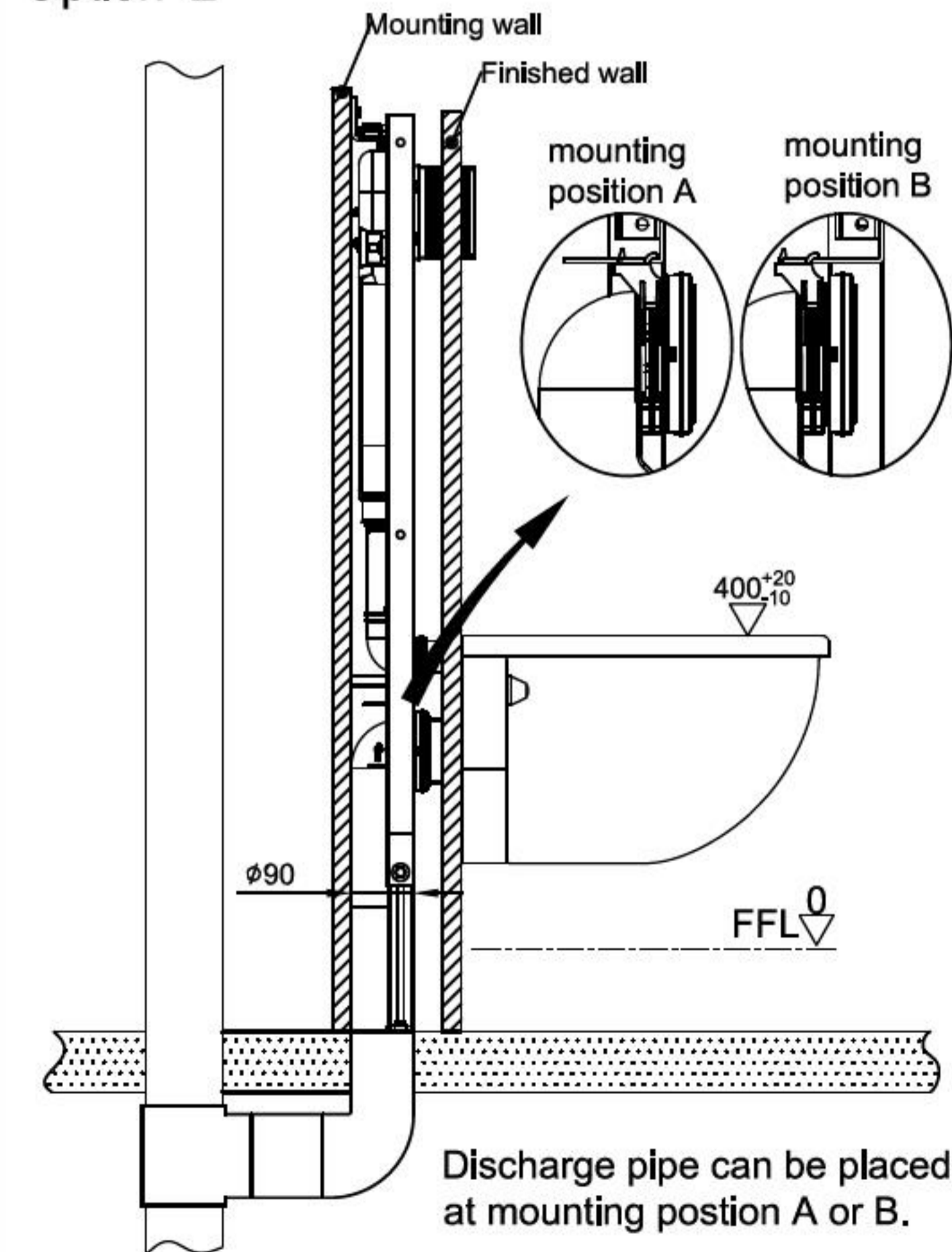
1. Drainage System Layout

Drawing 1 to 3 are three different installation systems for drain pipe. Customer should confirm whichever installation system according to drainage outlet position. If drainage outlet does not fall within the three systems, customer should follow one of three drainage system layout to correspond installation of our concealed cistern.

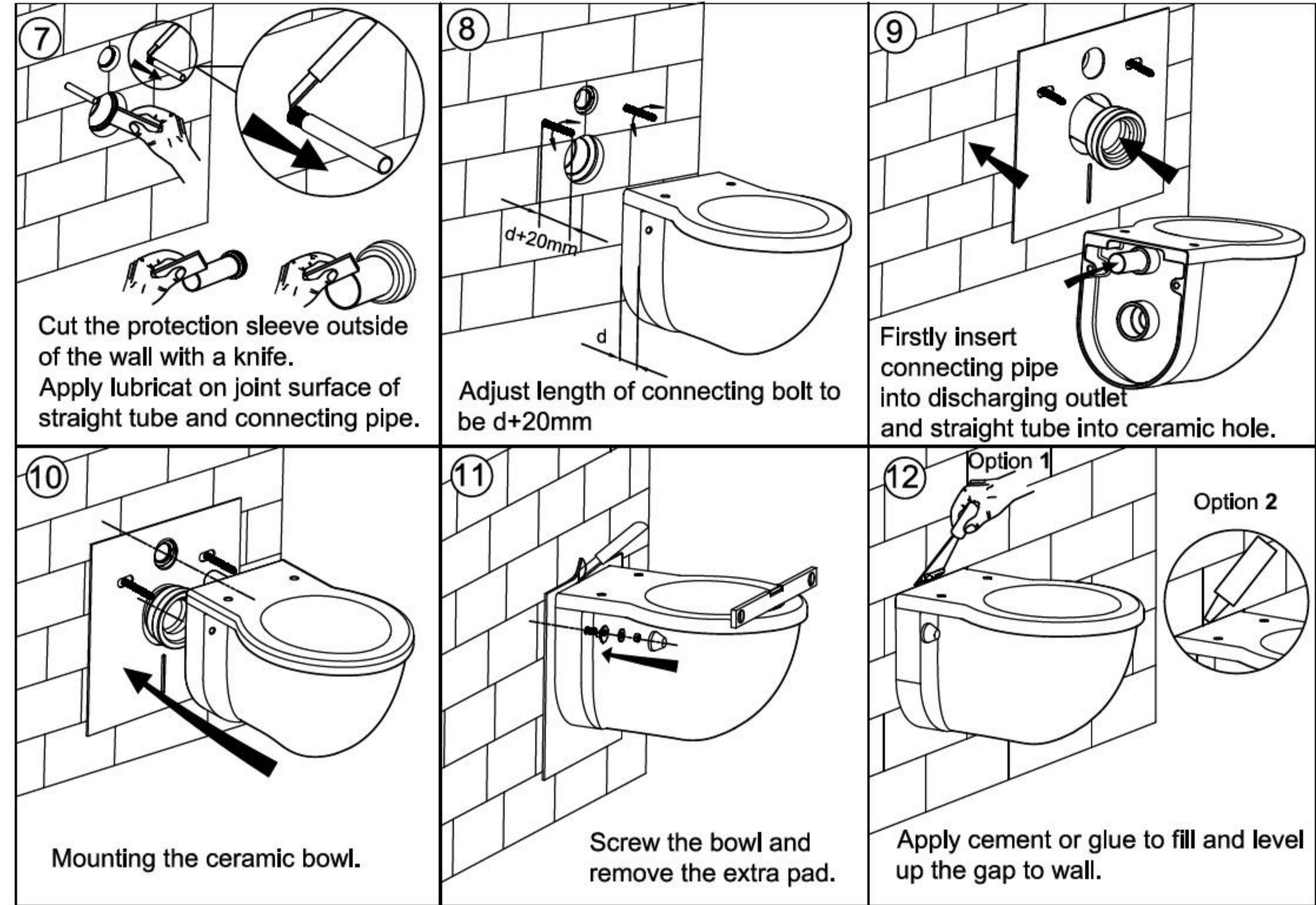
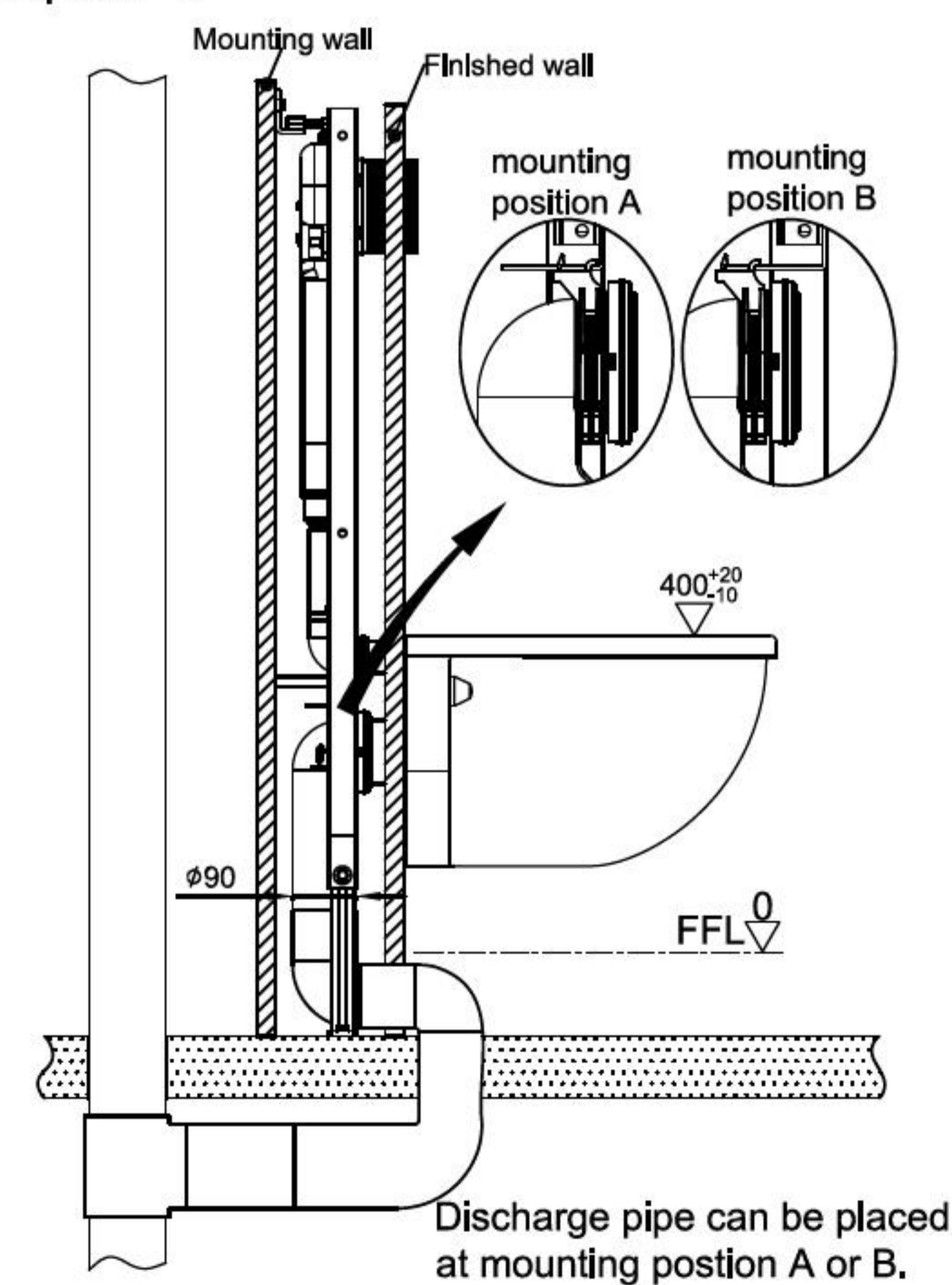
Option 1



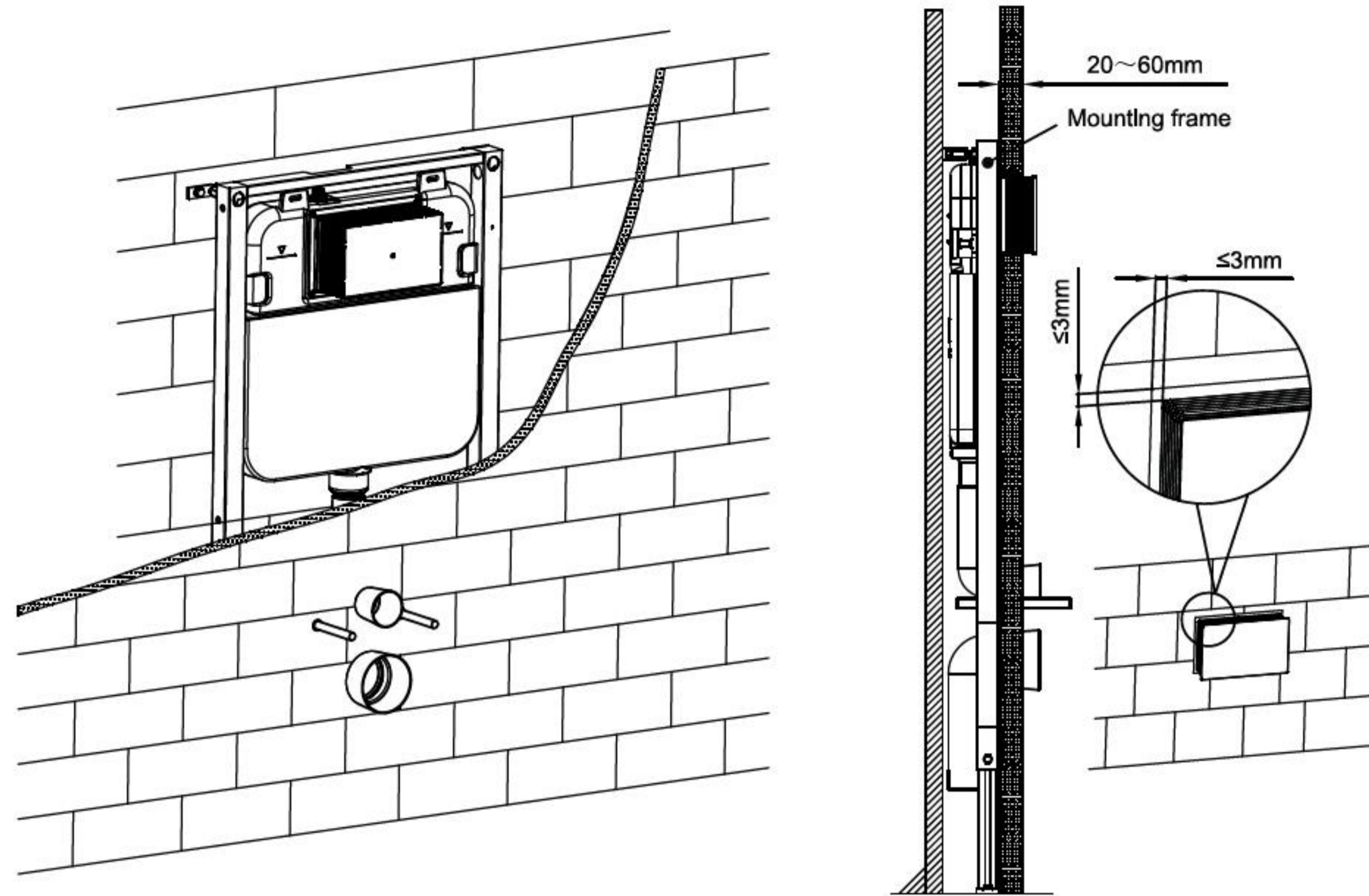
Option 2



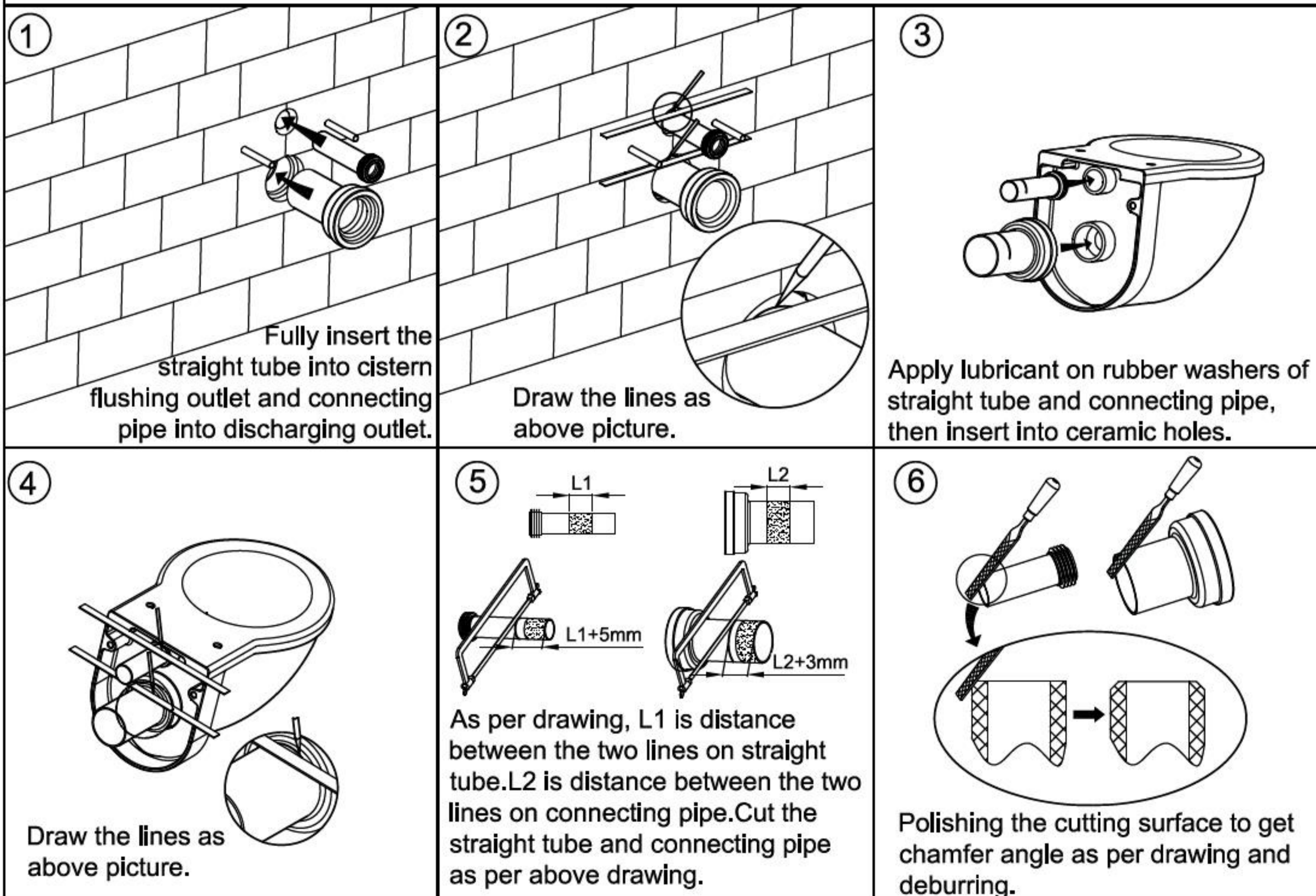
Option 3



8. Wall thickness range 20-60mm (from frame outside surface to finished wall)

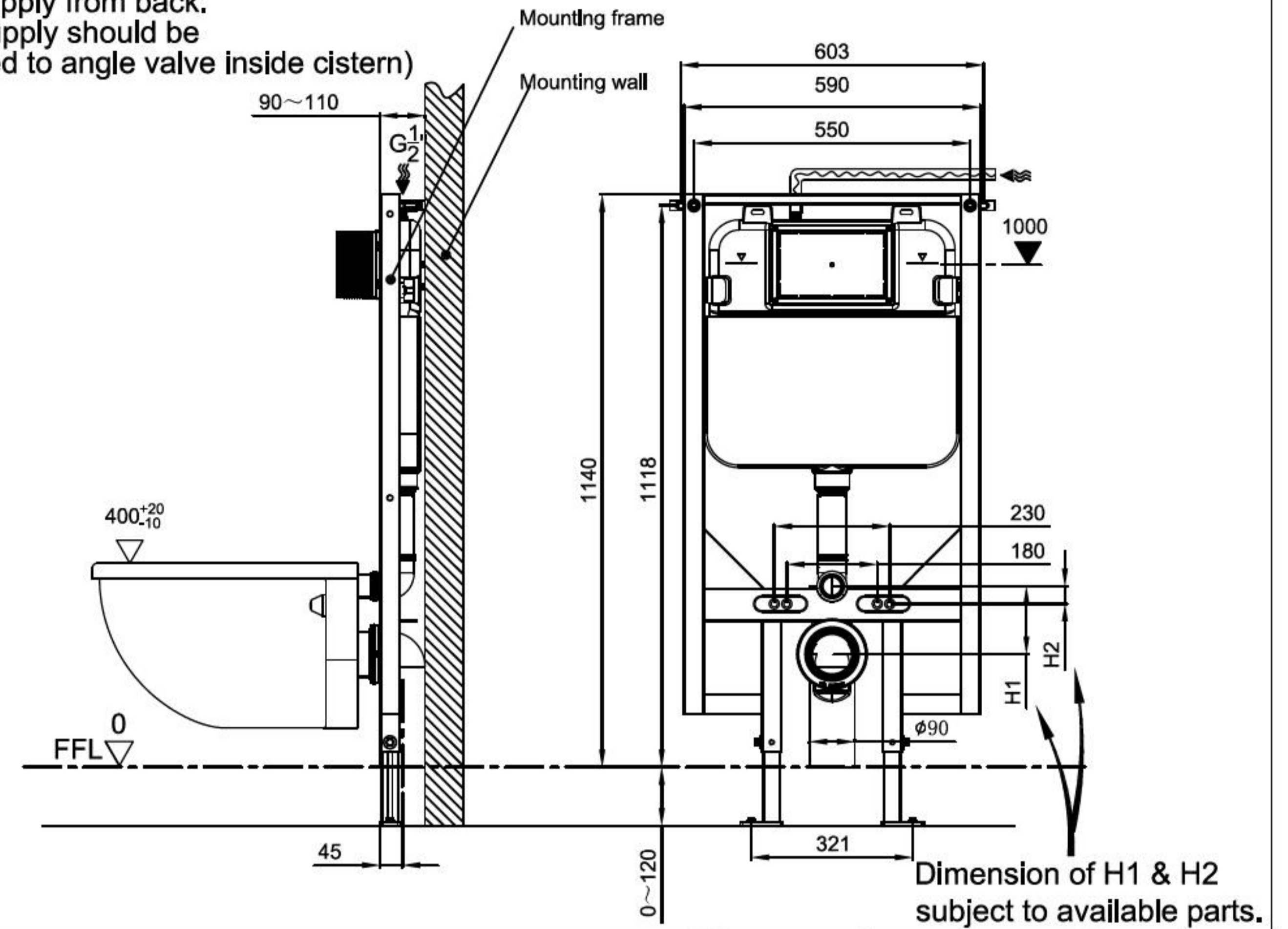


9. Mounting of ceramic bowl

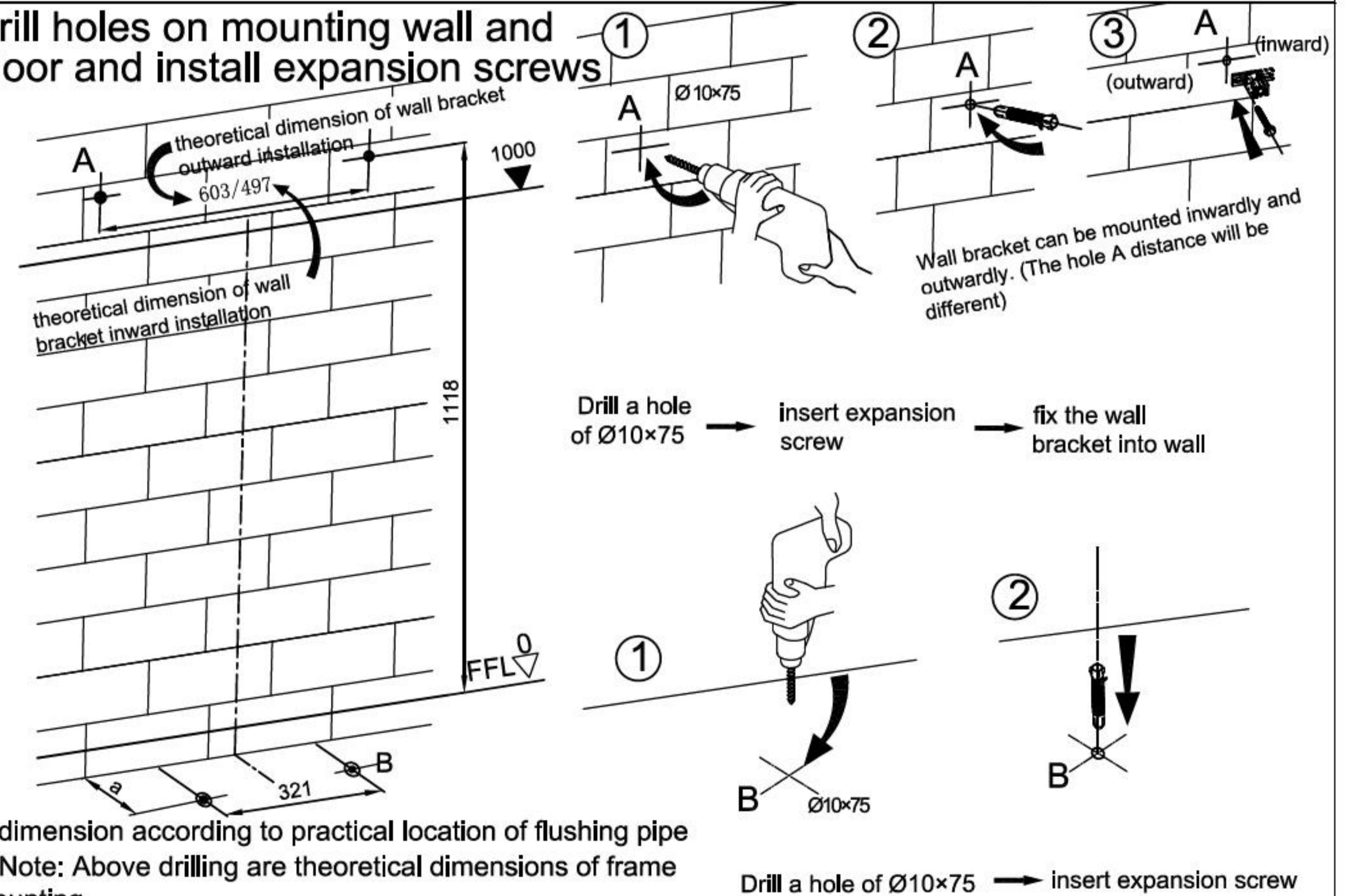


2. General dimension and water supply drawing

Water supply from back.
(water supply should be connected to angle valve inside cistern)

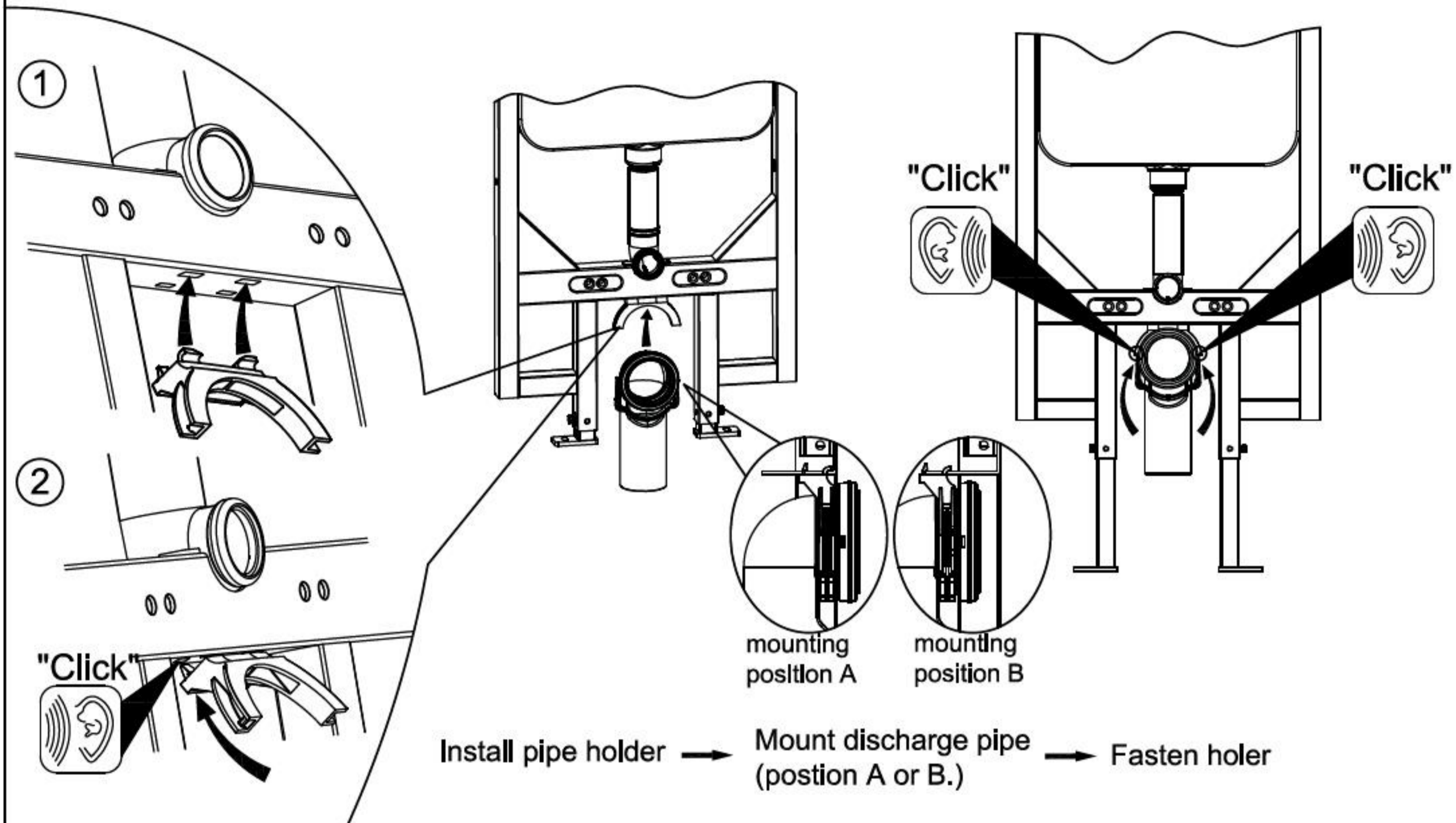


3. Drill holes on mounting wall and floor and install expansion screws

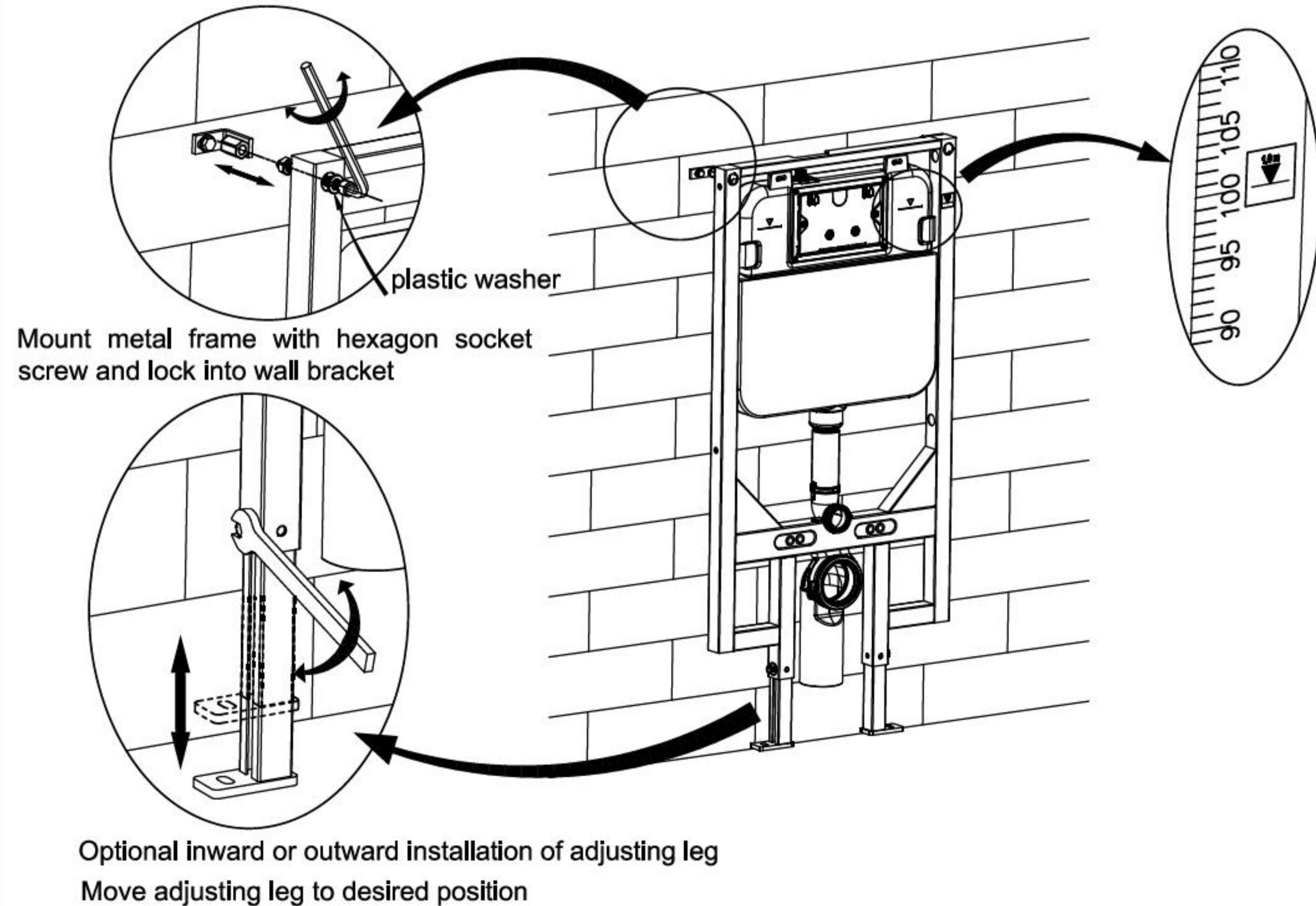


A dimension according to practical location of flushing pipe
☆Note: Above drilling are theoretical dimensions of frame mounting.
Please follow by the practical location of frame.

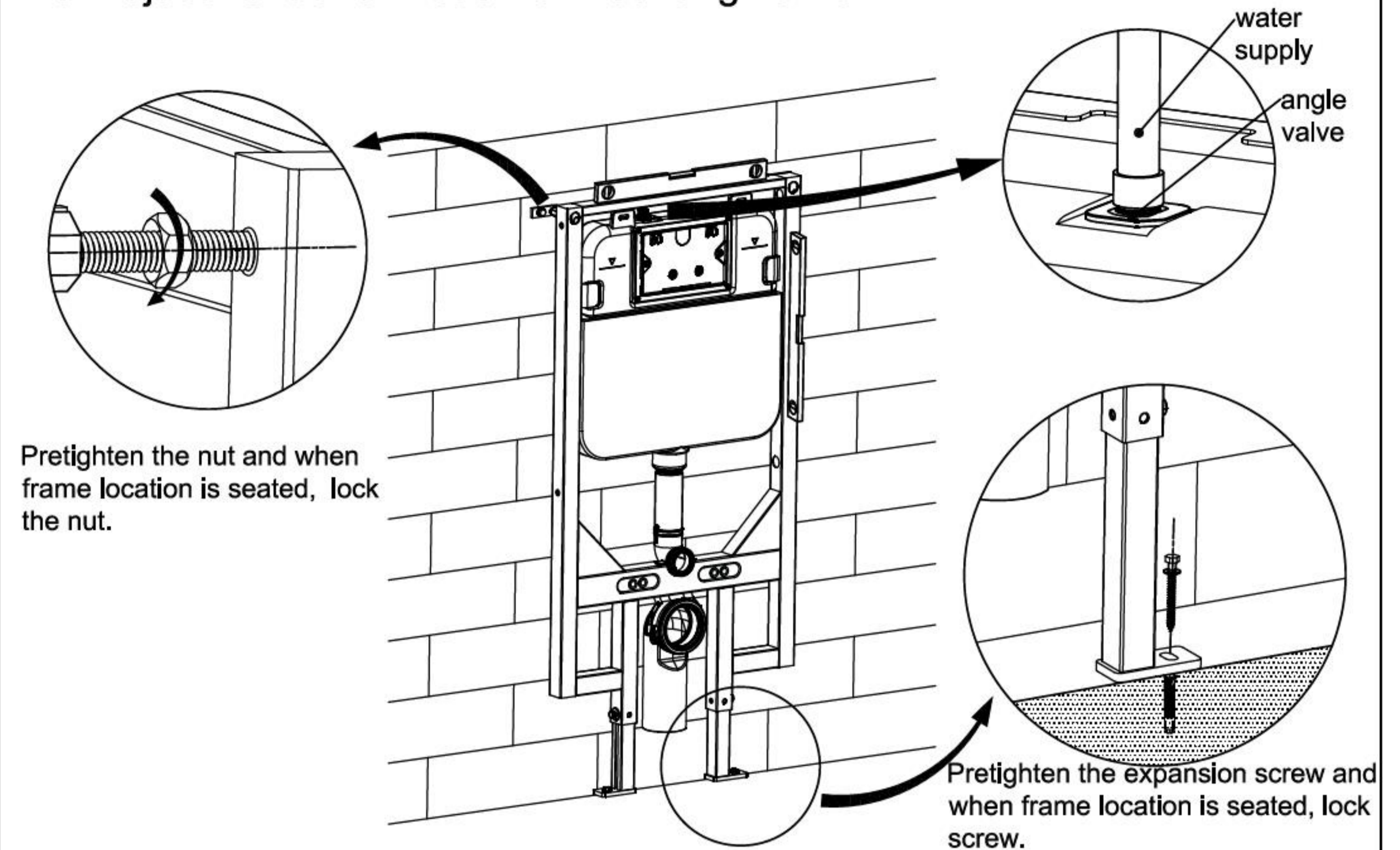
4. Installation of draining syphon



5. Adjustment of socket head screw and floor fixing accessories



6. Adjustment and fixation of mounting frame



7. Mounting of installation accessories

