

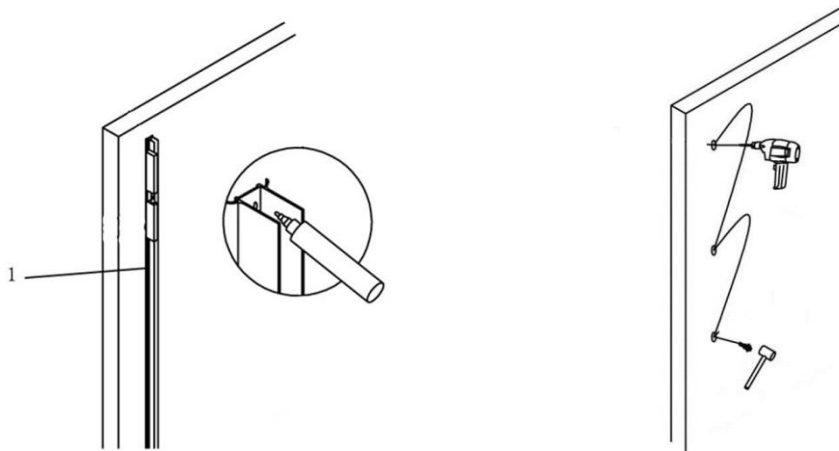
# BS5



## Guide 60 cm wide halo

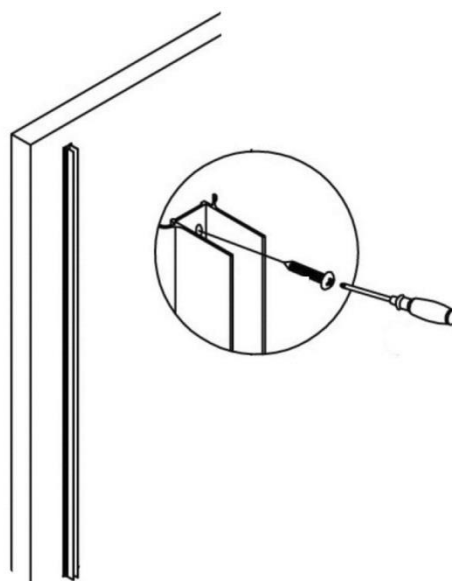
### Step 1

Wandleiste / vertical vertical insert to the wall above your selected location wannenrandes.  
Draw with a pencil, drill and insert panels temporarily away. Next, they drilled the wall.  
Insert pin holes (in some cases). Kill with a hammer until it is finished with the wall.



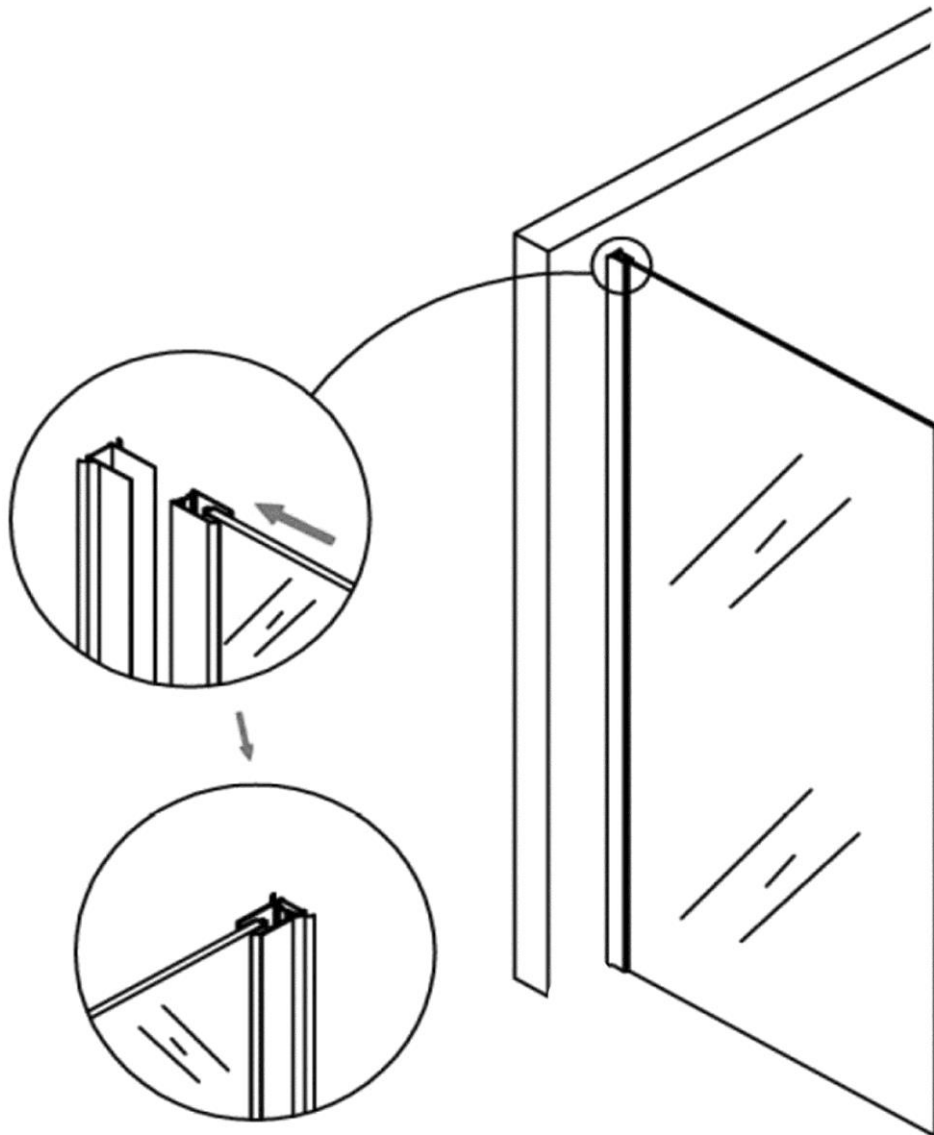
### step 2

Install using bolts (wandleiste 4x30 mm) on the wall.



### step 3

press the rubber lips down on the glass.  
push now as shown in the aluprofil of schwenkelements in the wandleiste. fix the seat,  
until the separation of perfect opening and closing.



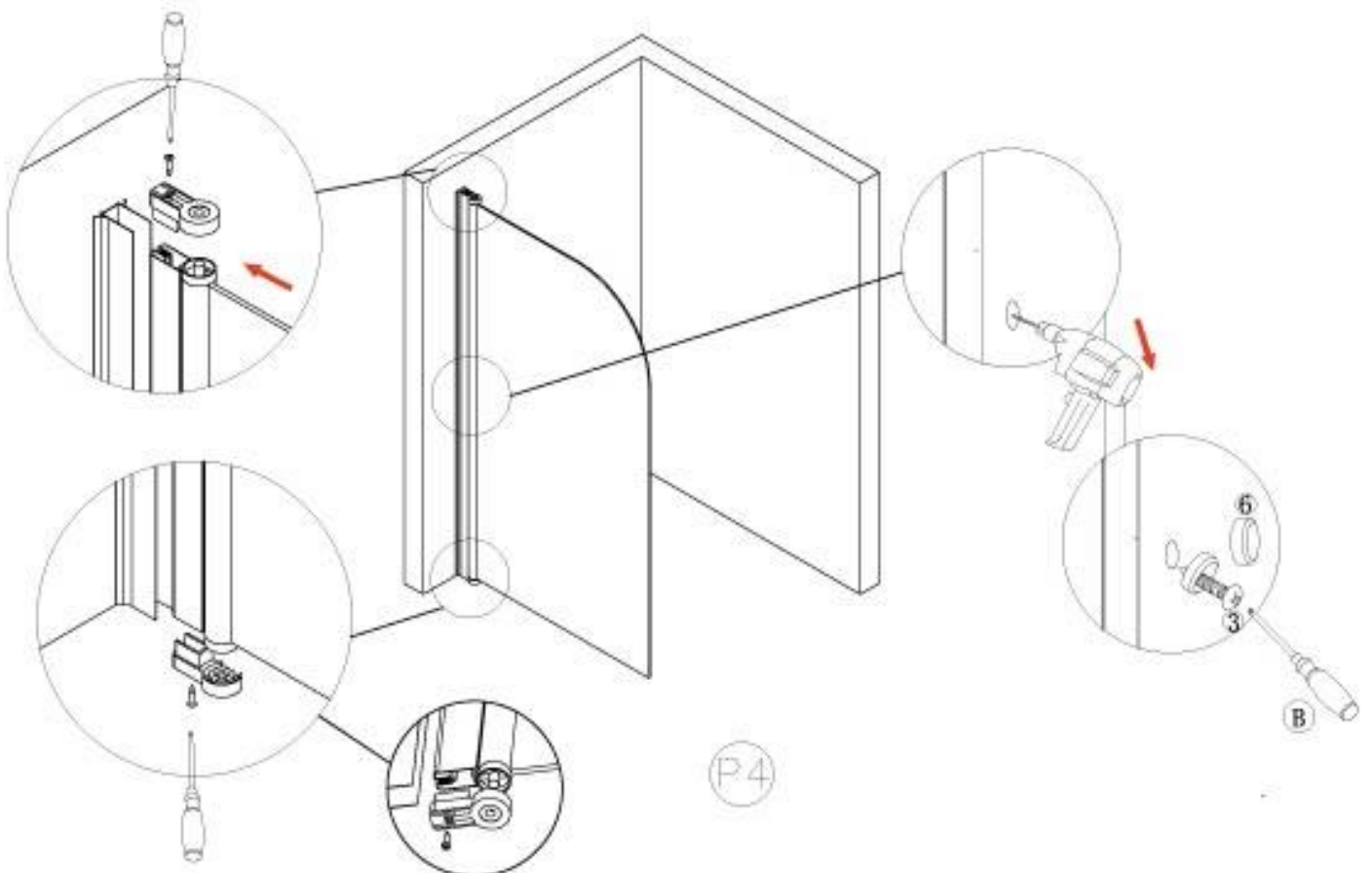
#### step 4

screw for the lifting and lowering function.

in order to attach the swivel arm, 3 holes drilled on the inside. select the bohrpunkt beforehand. the distance is 10 cm from the upper and lower edge, the middle is up to 70 cm high.

in order not to slip during drilling, it is these points with a small depth to them. this is suitable. grains, at any hardware store or shop is available. drilling the holes within 15 mm deep.

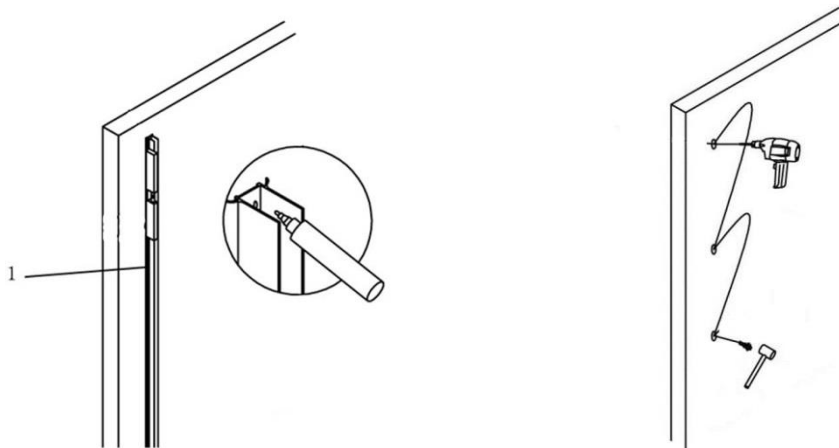
then screw the rail and the armature with the attached bolts (4x10 mm) solid. finally, press the caps on the bolt heads.



## Guide 80 cm wide halo

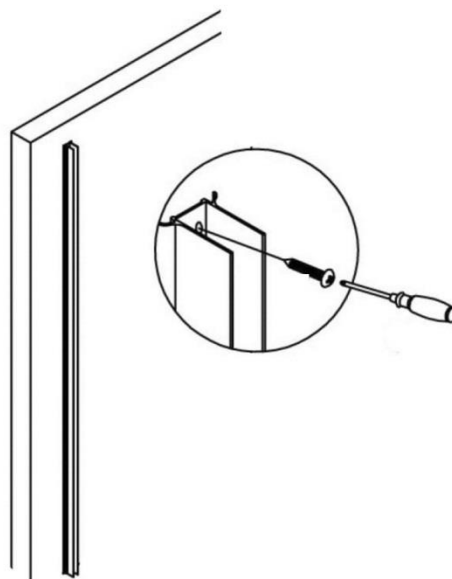
### step 1

put the wandleiste vertical / perpendicularly of the selected area above the wannenrandes on the wall. you can draw with a pencil drilling for and set the bar at the back. next, you drill the holes in the set in the wall. put the dowel in the holes (if necessary. help with a hammer until the dowels flush with the wall closure).



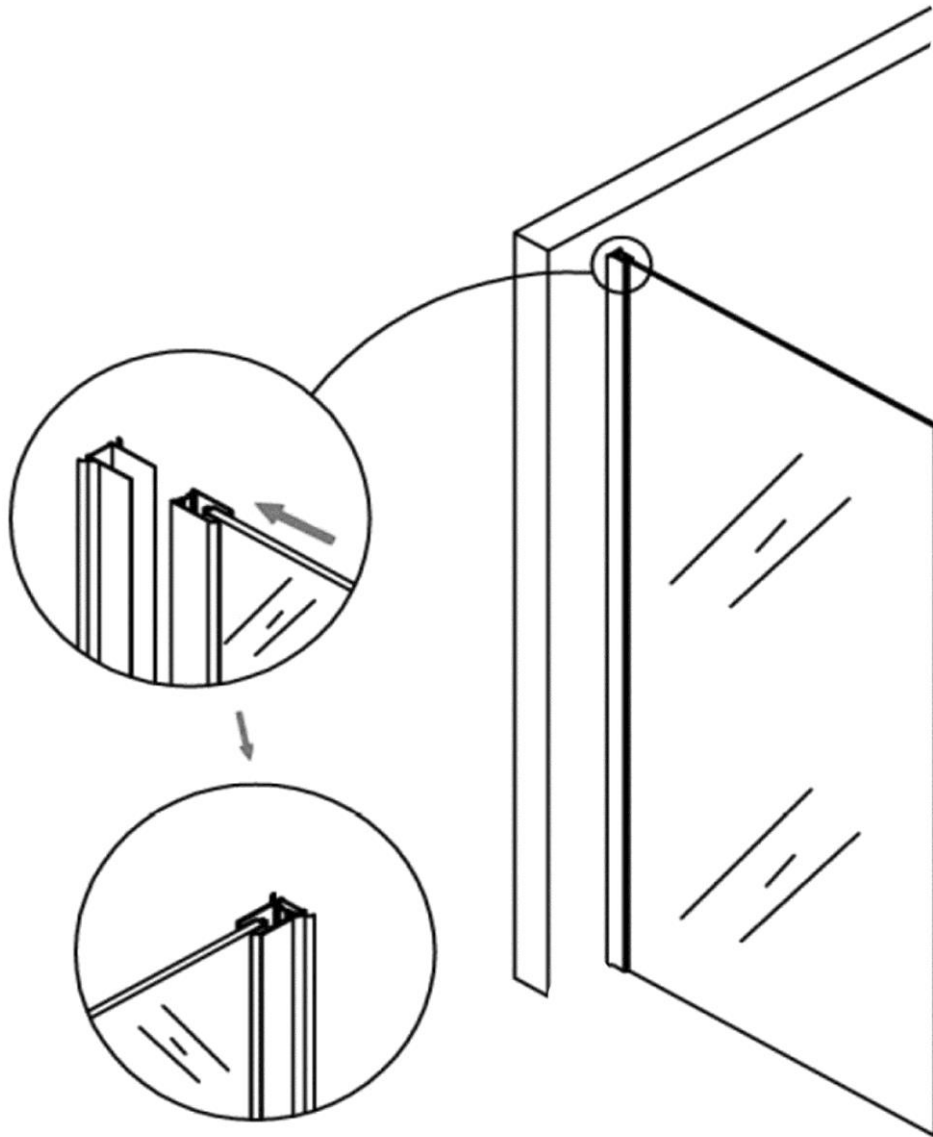
### step 2

attach the wandleiste with the supplied screws (4x30 mm) on the wall.



### step 3

press the rubber lips down on the glass.  
push now as shown in the aluprofil of schwenkelements in the wandleiste. fix the seat,  
until the separation of perfect opening and closing.



#### step 4

in order to attach the swivel arm, 3 holes drilled on the inside. select the bohrpunkt beforehand. the distance is 10 cm from the upper and lower edge, the middle is up to 70 cm high.

in order not to slip during drilling, it is these points with a small depth to them. this is suitable. grains, at any hardware store or shop is available. drilling the holes within 15 mm deep.

then screw the rail and the armature with the attached bolts (4x10 mm) solid. finally, press the caps on the bolt heads.

