

INSTALLATION INSTRUCTIONS

Free Standing Bathtub

Thank you for selecting our products, which have been the benchmarks of fine quality for years. To help insure that the installation process will proceed smoothly, please read these instructions carefully before you begin. Also, review the recommended tools and materials list; carefully unpack and examine your new plumbing fixture. Be sure to observe all plumbing and building codes according to your state requirements.

CAUTION: PRODUCT IS FRAGILE. TO AVOID BREAKAGE AND POSSIBLE INJURY HANDLE WITH CARE!

NOTE: Pictures may not exactly define contour of china and components.



Level



Tape Measure



Pencil



Sealant Tape



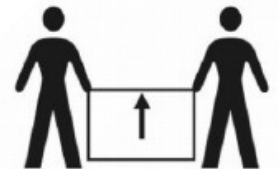
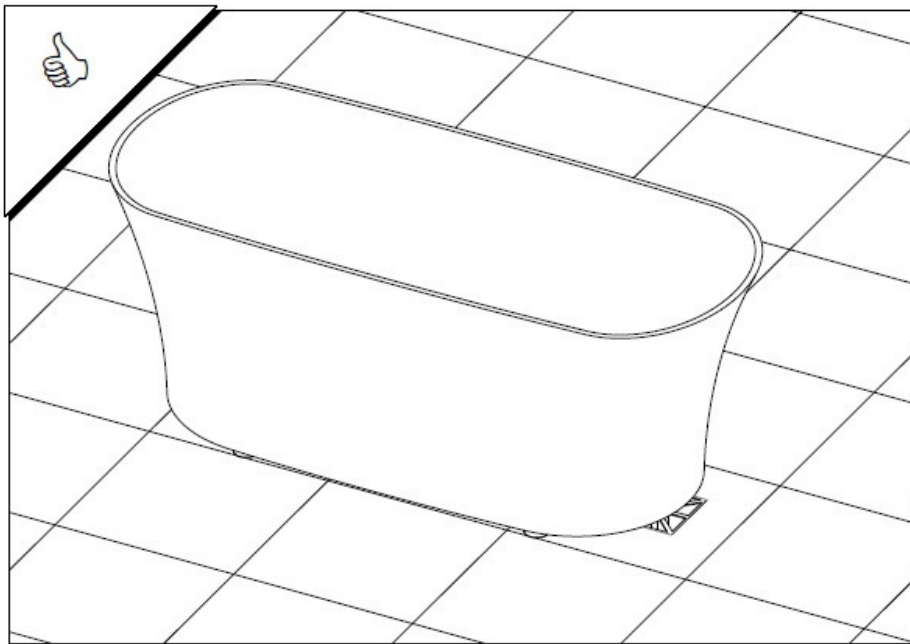
Silicone Sealant



Safety Goggles

AND:

- Drop Cloth
- Tub & Tile Caulk
- Caulking Gun
- Standard Woodworking Tools



**THE FOLLOWING ARE GENERAL INSTRUCTIONS FOR INSTALLING A FREE STANDING BATHTUB.
IT IS RECOMMENDED THAT A LICENSED PLUMBER INSTALL THIS PRODUCT.**

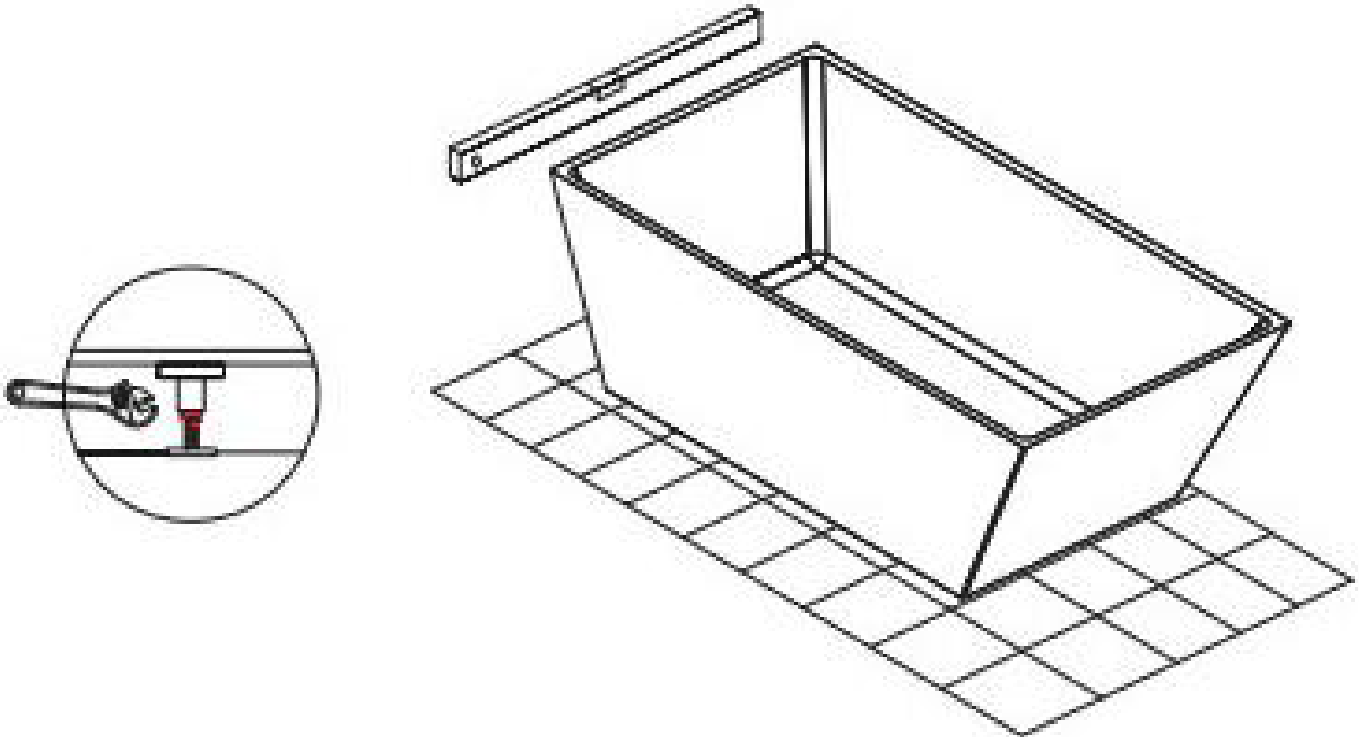
- Observe all local plumbing and building codes.
- Confirm the correct model was received, the installed drain location matches the model received, measure the dimensions of the actual tub and square.
- Check that the subfloor is level. Ensure the subfloor can adequately support the load of the tub filled with water.

INSTALLATION INSTRUCTIONS

Free Standing Bathtub

1. Prepare the Site

- Use product specification sheet as a reference when planning your layout.
- As the product specification measurements are approximate and slight variations may occur, we highly recommend measuring the actual tub on site carefully. Specifications are subject to change without notice.
- Make sure all of the required materials that are needed for the installation have been gathered.
- For simplifying any future maintenance, keep the plumbing connections around the bath easily accessible.
- Make sure the flooring offers adequate support for your bath, a minimum weight of 1500 lbs, and is level. Reinforce the existing flooring if needed.
- Determine the location of the bath, and use a pencil to trace the outline of the base of the bathtub on the floor.




- Using the adjustable feet (if applicable) on the underside of the bath, ensure that the bath is level. Make sure that there is a gap between the bath base and the floor. Gap shall not exceed 3/16" (5mm).
 - This bath conforms to CSA B45.5/IAPMO Z124. All dimensions are nominal.
-

INSTALLATION INSTRUCTIONS

Free Standing Bathtub

2. Install the Drain

- Using the traced outline for reference, determine the location of the drain pipe on the floor by taking measurements of the drain and waste location underneath the bath, and confirm that the drain/waste outlet in the floor will align with the bath drain outlet.
- **Note: The drain in your bathtub vary by model.**
- Verify the drain location before drilling a hole in the floor.
- Place a drop cloth on the floor, turn the bath on its side so that the bath is properly supported during drain installation.

 **CAUTION:** Risk of personal injury. This bath is bulky and heavy. Obtain sufficient help to carefully move the bath. **Note:** The drain/ waste outlet must be installed by a certified plumber and in accordance with all local building codes.

- Refer to manufacturer's installation instructions for install the drain and overflow. We recommend the use of clear silicone to seal as plumbers putty can dry and crack leading to the possibility of leaking, and it may also discolor the finish of the tub and drain over time.

3. Install the Bathtub

- Apply a generous bead of adhesive or silicone to the bottom of the tub supports.
- Carefully lift the bath into position and connect the drain hardware that previously installed. Finish the installation of the tail piece installation. Tighten all of the drain connections. Remove any excess caulking where the tub meets the floor.

4. Complete the Installation

Test Run the Bathtub

- Fill the bathtub with water to the overflow and then drain. Check for leaks and re-tighten connections as necessary.
- Apply a bead of Tub & Tile caulk around the bottom edge of the tub where it meets the floor. Remove any excess caulking.

5. Clean-up After Installation

- Remove all construction debris from bathtub.
 - When cleaning up after installation, do not use abrasive, as they may scratch or dull the surface of the acrylic. Use warm water and a mild liquid detergent to clean the surface of the bath.
 - Do not allow cleaners containing petroleum distillates to remain in contact with any bath surface for long periods of time. Do not use metal scrapers, wire brushes, or other metal tools. Use a powder-type detergent on a damp cloth to provide mild abrasive action to any residual plaster.
-

INSTALLATION INSTRUCTIONS

Free Standing Bathtub

Care & Maintenance

- For best results: Always test your cleaning solution on an inconspicuous area before applying to the entire surface. Wipe surfaces clean and rinse completely with water immediately after applying cleaner. Do not allow cleaner to soak. Use a soft, dampened sponge or cloth. Never use an abrasive material such as a brush or scouring pad to clean surfaces. Rinse thoroughly and use a soft cloth to wipe the product dry after each use.
- Matte Surfaces: NOTE: PLEASE BE CAREFUL WITH ALL PRODUCTS CONTAINING ABRASIVES. In order to maintain the aesthetics of a product it is recommended to use skin care oil once per month.

Important Safety Instructions

- DANGER: To reduce the risk of injury, do not permit children to use this unit without closely supervised at all times.
- DANGER: To avoid injury, exercise care when entering or exiting the bath.
- WARNING: Do not permit electric appliances (such as a hair dryer, lamp, television, or radio) within 5' (1.5m) of this bath.
- WARNING: Use of your bathtub immediately after meals is not recommended. Avoid alcohol consumption before or during bathing. Alcoholic beverages can cause drowsiness or hyperthermia resulting in loss of consciousness or even drowning.
- WARNING: Water temperature in excess of 100oF (38°C) may cause injury. Test and adjust the water temperature before use.
- WARNING: If you are or think you may be pregnant, consult your physician before using the bathtub.

Contact Us

If you have any questions about installation and usage of the free standing bathtub, please contact us via email at: service@interdistribution.ca