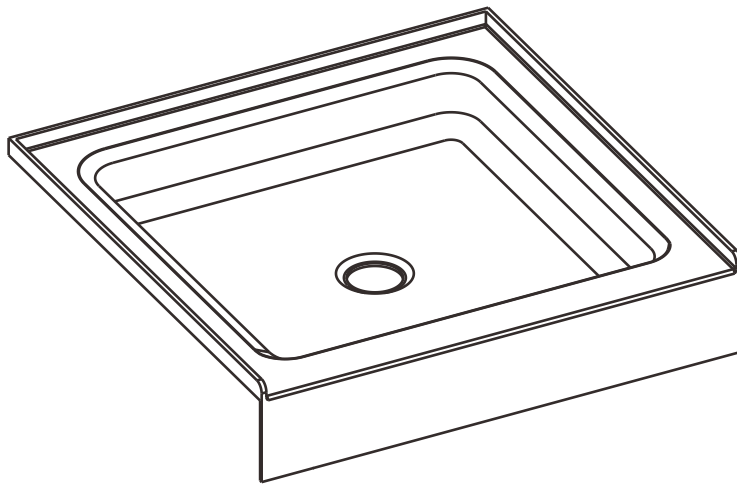


# Installation Manual

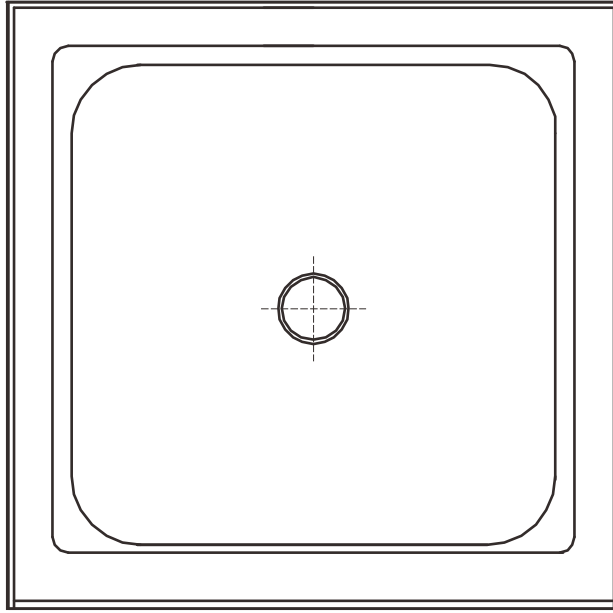


Retain these instructions for future use.

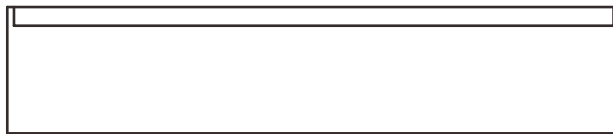
# TECHNICAL DIMENSION

---

*Technical dimension:*



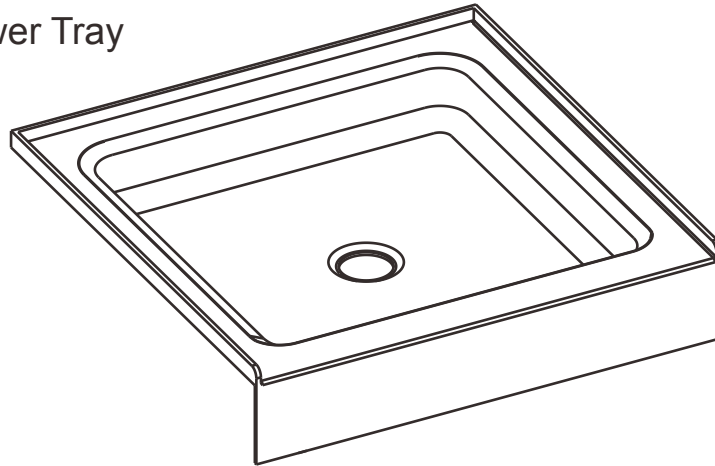
Top View



Front View

# PARTS INCLUDED

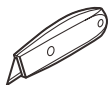
Shower Tray



# TOOLS AND MATERIALS REQUIRED



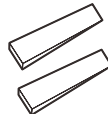
Safety glasses



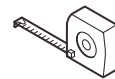
Utility knife



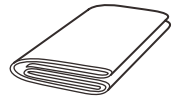
Pencil



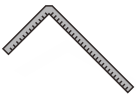
Shims



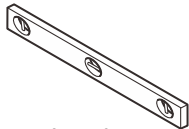
Tape measure



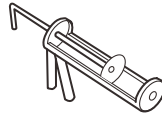
Drop cloth



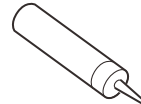
Square



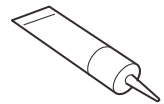
Level



Caulk gun



Adhesive  
(1 tube)



Sealant  
(1 tube)



Drill



Drill bit  
(Ø5 mm)



30mm screws  
(zinc or stainless;  
panhead or roundhead)



Extension bit  
holder



Phillips bit  
(for use with  
extension bit  
holder)



1/4" v-notched  
trowel

⊙ Lumber for additional wall studs if installing wall set; refer to wall set installation instructions

**TIP** : You may want to install insulation

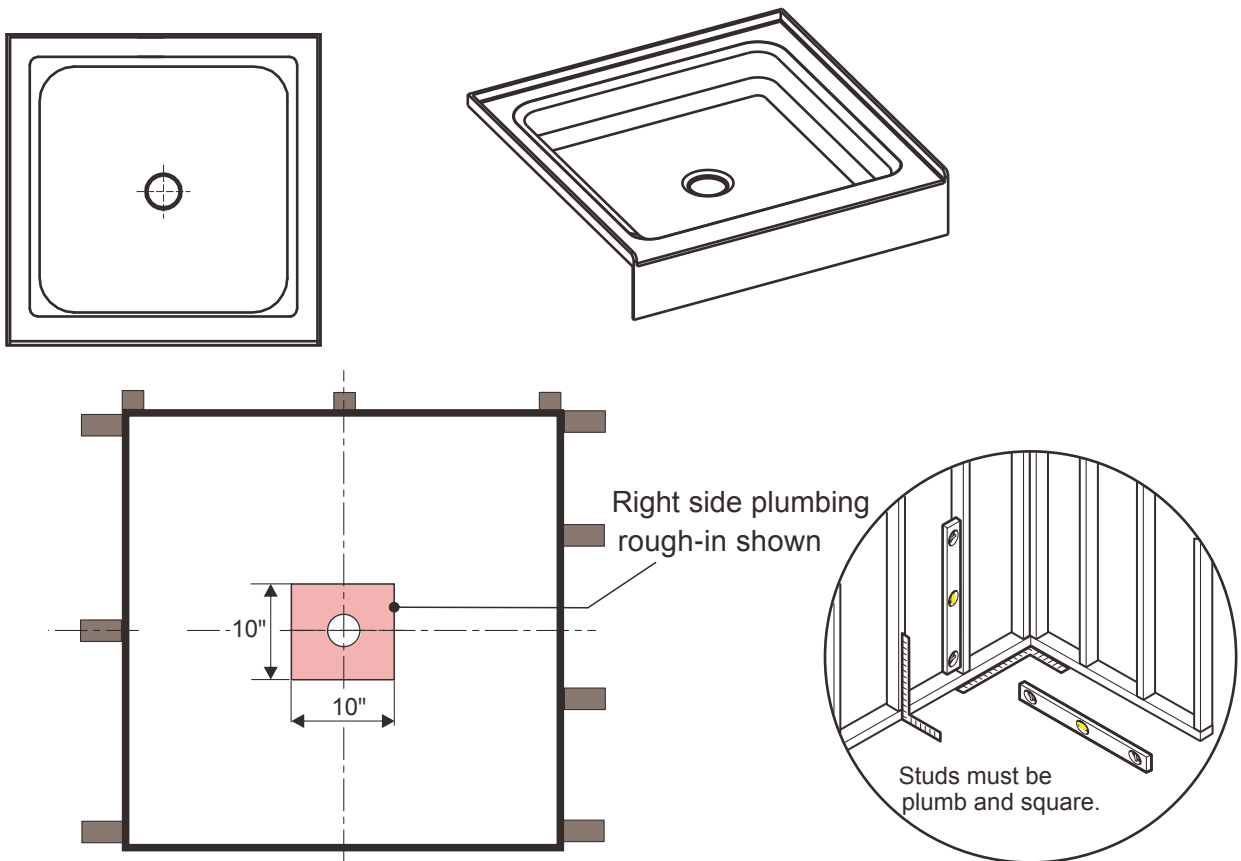
# REQUIREMENTS FOR SUCCESSFUL INSTALLATION



**DO NOT:** Use drywall screws to secure flanges to wall studs.  
Product damage will occur and will void the warranty.  
Entire bottom support must be in contact with a flat, level surface.

1. Read complete instructions before beginning installation.
2. Confirm that your model will fit in intended location and plumbing fixtures are located where required before beginning installation.
3. Walls and sub-floor must be solid, plumb, and square.
4. If installation surface is not level, use leveling compound or mortar bed for proper installation.
5. Use drop cloth to protect shower tray from damage during installation.
6. Two people recommended to install this product.

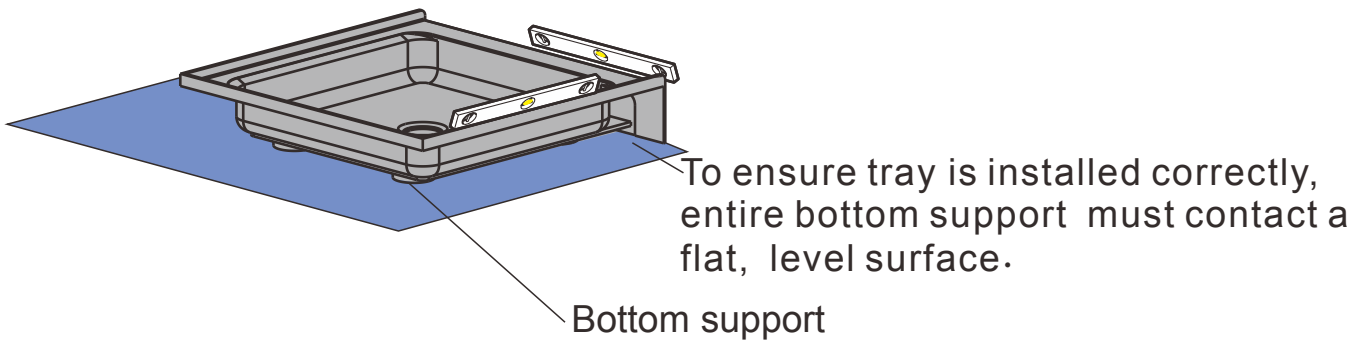
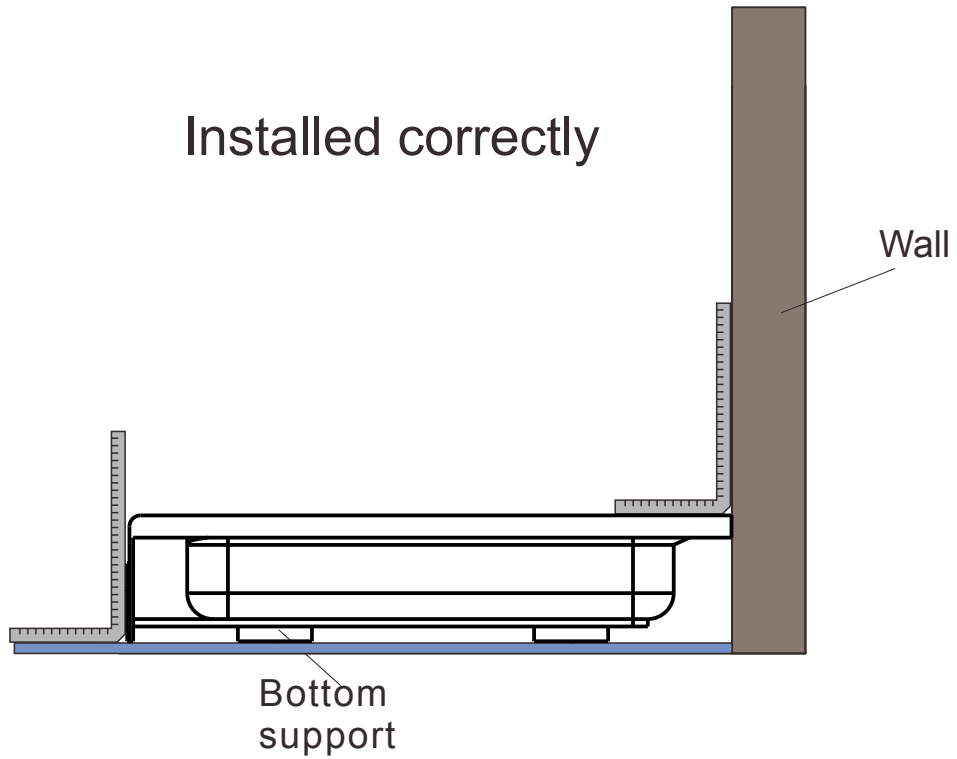
## ROUGHING-IN



\* Rough plumbing must be installed before shower tray installation.

# INSTALLATION

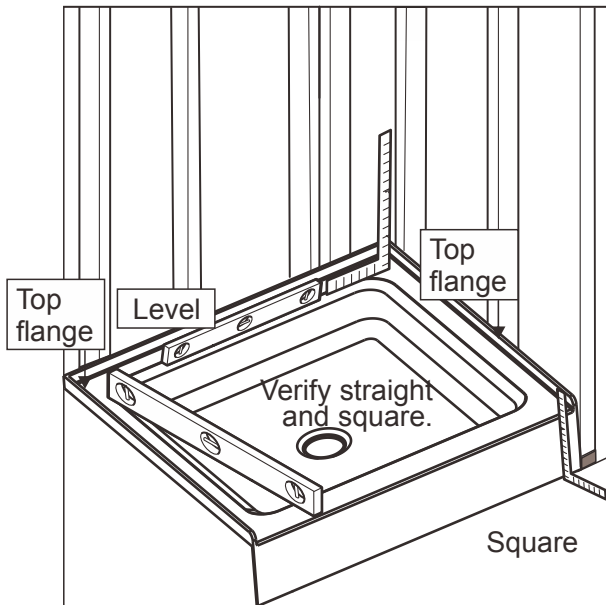
A:



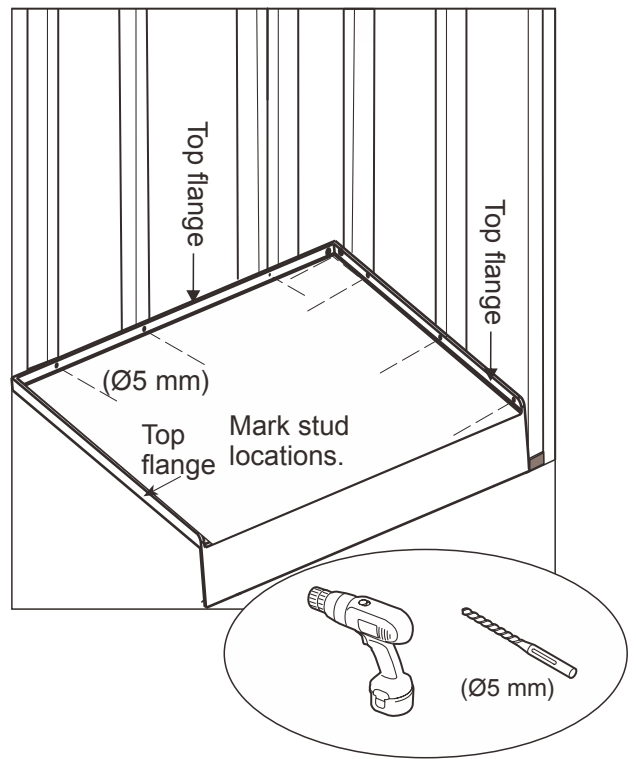
- ⊙ **Do not install the product with any air gaps under the bottom support or product damage will occur.**
- ⊙ **TIP: If installation surface is not level, use leveling compound or mortar bed for proper installation.**

# INSTALLATION

B.

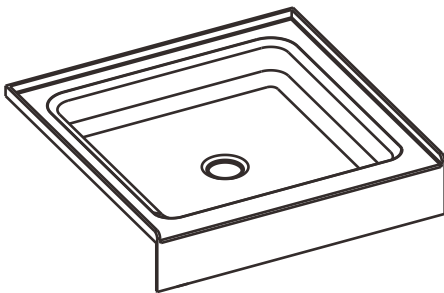


C.

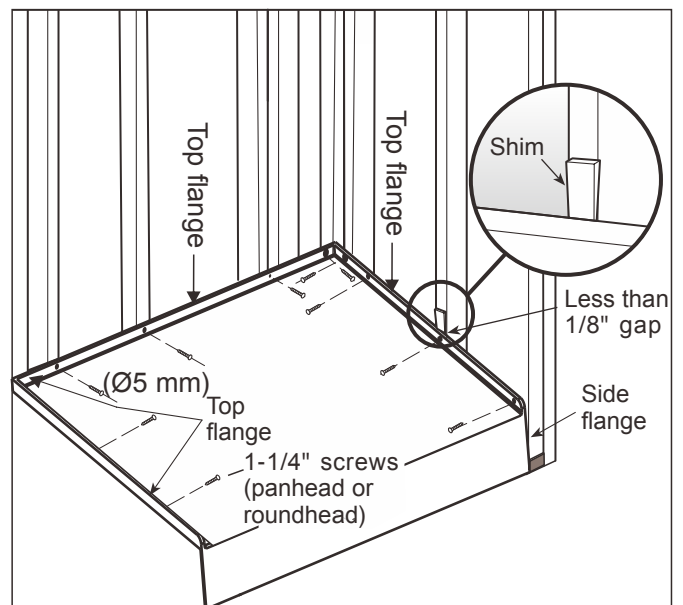


D.

Plumber's putty will degrade shower tray material. Do not use plumber's putty to seal between drain and shower tray. Use latex/acrylic sealant or a gasket.



E.



**TIP:** Place drop cloth in shower tray and stand inside tray to press it to floor when securing to wall studs.