

Instruction Manual

TOWEL WARMER / Wall Mount Install Guide

Before using this product. Please read the following instructions carefully and keep this pamphlet for future reference.

About the product:

This heated towel rail is designed for drying towels or clothes, and it used in household bathrooms and kitchens.this appliance is used under the voltage of 110V-120V AC, is manufactured according to ETL standard.

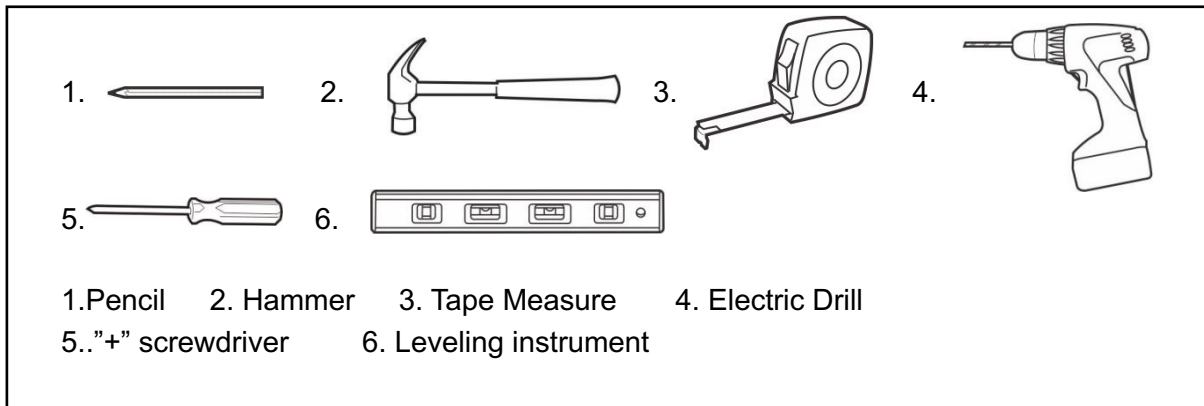
Safety Precautions:

1. The supplied power system which is connected to the towel rail must be used with a over-current protection device.
2. This product is supplied with the relevant, fitted three pin socket and three-wire cable, to avoid any risks or danger it must be properly grounded.
3. Any change of the repair to the damaged internal wires must be done by a qualified technician who is deemed qualified by the industry standard. When any external wire fittings are required, the power must be cut off completely.
4. Any hard scrubbing or scratching on the product surface is strictly prohibited.

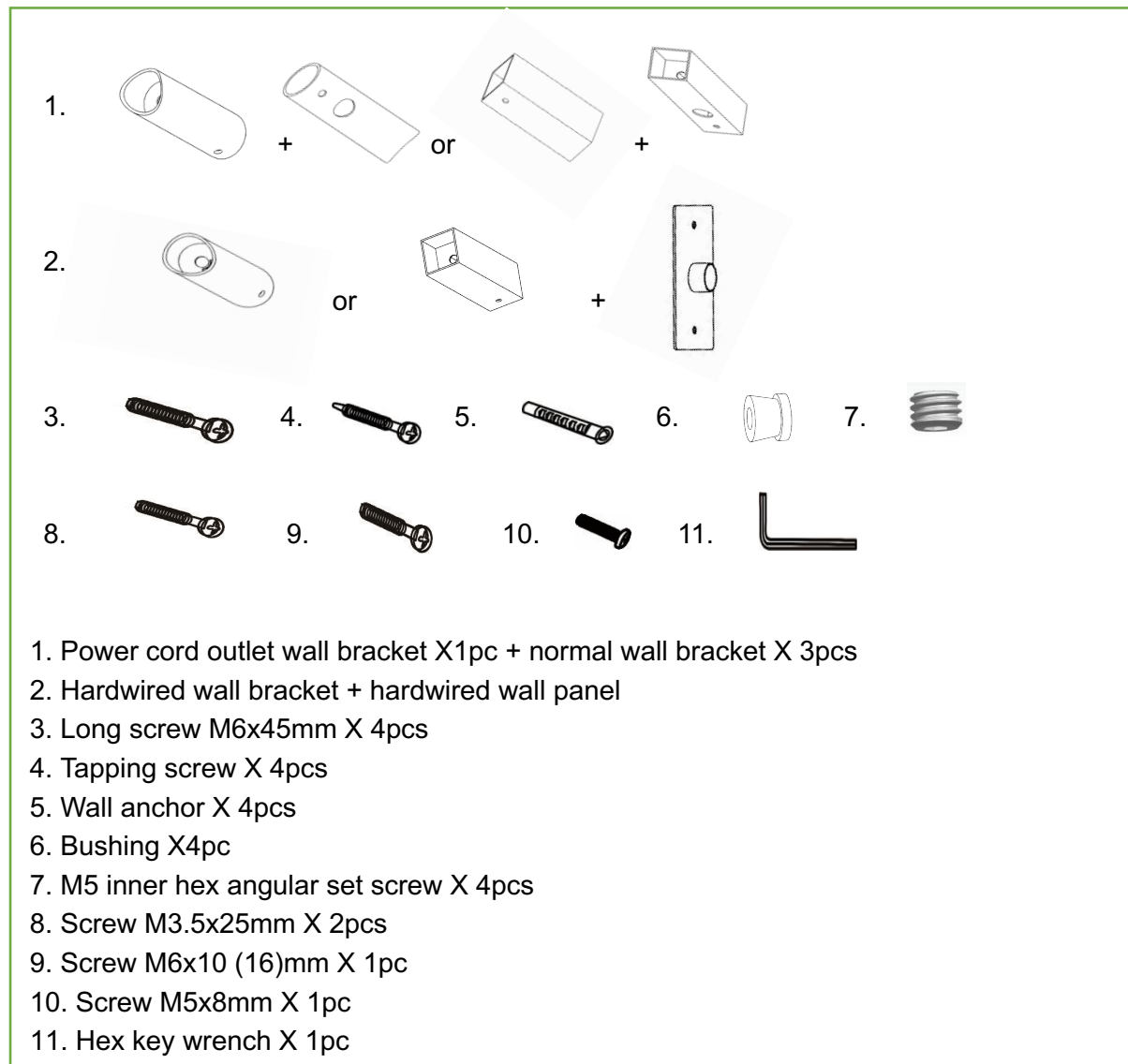
Note:

1. In the event of any technical statistics difference, please refer to the actual product.
2. Please wipe the towel rail with a soft dry clothes when cleaning it.

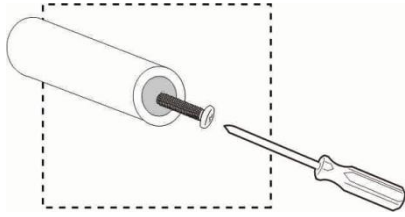
TOOLS



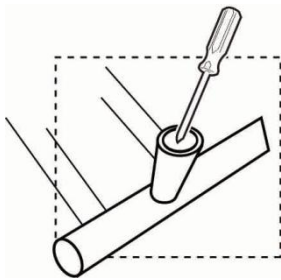
Accessories List



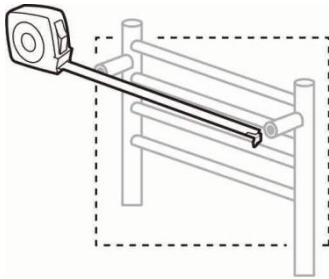
Installation Steps



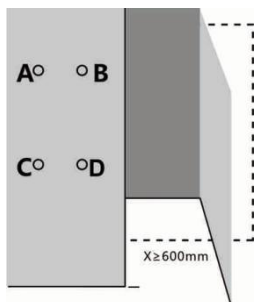
Drill the long screw (3) through the normal wall bracket (1)



Screw down the long screw (3) to firmly connect the normal wall bracket (1) to the vertical bar. Note that the set screw on the wall bracket should be towards the floor when the unit is installed.

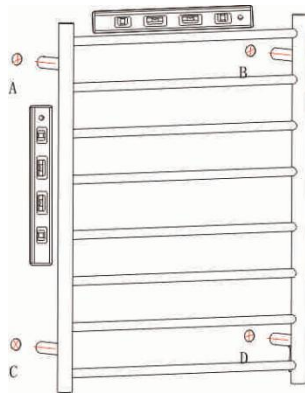


Use tape to measure the distance between these four holes, and the the data AB,AC,CD and BD

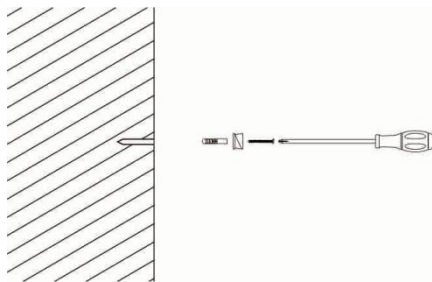


Mark A,B,C,D according to the distance. suggest it is installed at least 600mm above the floor level.

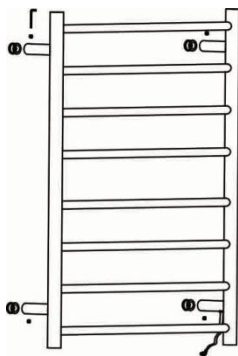
Try to install the towel warmer and use the leveling instrument to test the levelness and perpendicularity.



Drill A,B,C,D holes with size $\phi 8 \times D45\text{mm}$,
Use hammer to knock wall anchor (5) into wall completely.

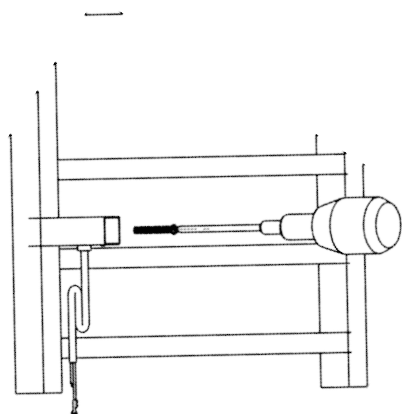


Insert the tapping screw (4) through bushing (6) then into the wall anchor (5), make sure bushing (6) is firmly connected to the wall

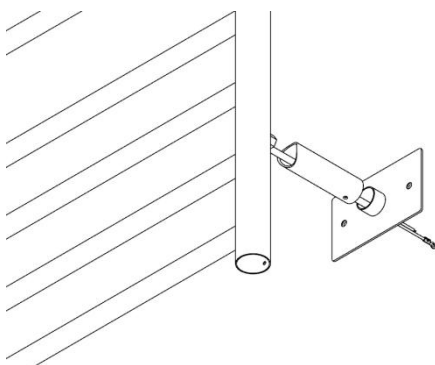


Connect the wall bracket (1) to the bushing (6), and tighten the set screw (7) by hex key wrench (11). then plug in the unit and press the on switch

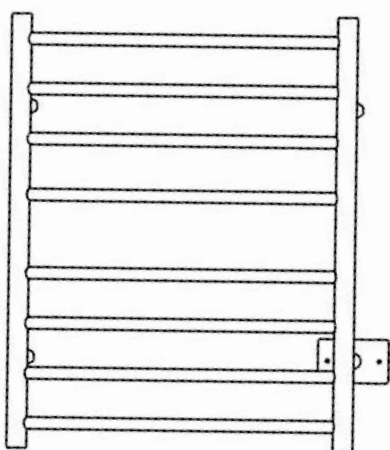
Installation for hardwired



Cut off the plug . take out the wall bracket (1).



Connect hardwired wall bracket and panel (2)
by screw (10),
Screw down the screw (9) to firmly connect
the hardwired wall bracket (2) to the vertical
bar.



Fix the hardwired wall panel with screw (9)

1. Specifications:


- 1.1. Power Supply: AC110-120V/60HZ
- 1.2. Temperature Range: 100°F~140°F
- 1.3. Timing Range: 1~8 hours or always On
- 1.4. Functions: Temperature Hold Mode, Timing Mode


2. Display:


- 2.1. Off Mode: LED Displays off, the Start Button half bright (see right).
- 2.2. On Mode: Adjustable Temperature Mode (100°F~140°F), Adjustable Timing Mode (1~8 hours) and Standard ON Mode as shown on the right

3. Operating Instructions:

3.1. Power on: Press  to turn on the device.

3.2. Temperature Setting: Press . The LED displays will flash, press button once to increase temperature by 10°F, you may increase the temperature until it reaches 140°F. Press again to set the temperature back to 100°F. After you choose the temperature you want to reach, wait for 3 seconds and the digital tube will stop blinking, that means that you have successfully set your temperature.

3.3. Countdown Time Setting: Press . The LED displays will flash, press button once to increase temperature by 1 hour, you may increase the time until it reaches 8 hours. Press again and the word "on" is displayed ("on" means standard mode with no time set). Press again to set the time back to 1 hour. after you choose the time you want to choose, wait for 3 seconds and the digital tube will stop blinking, that means that you have successfully set your time. When your heating time ends, the device will automatically shut down.

3.4. Power Off: press and hold  the power button.



Warning :

Only use for drying textiles which have been dampened by water.

The original wire cannot be replaced, when it is unworkable, the whole product should be replaced.

If the appliance is supplied from an extension cord set or electric portable outlet device, then the extension cord set or electric portable outlet device should be positioned so that it is not subject to splashing or excessive moisture.