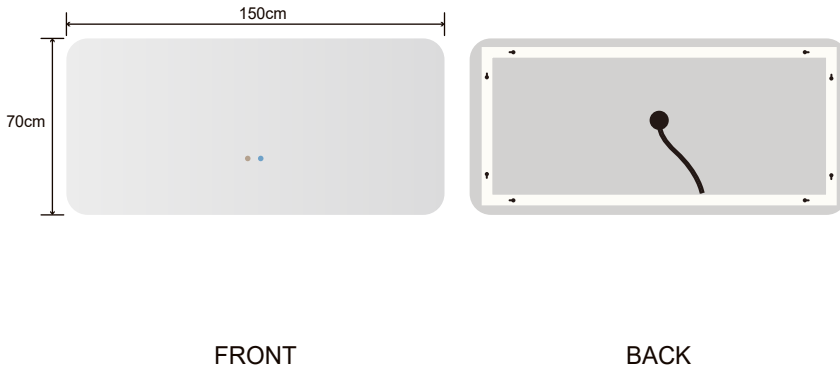
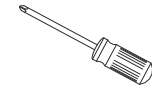


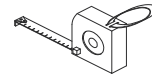
Technical Drawing



TOOLS REQUIRED FOR INSTALLATION (NOT INCLUDED)



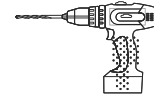
Philips
Screwdriver



Tape Measure



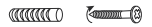
Pliers



Electric Drill
with DrillBits



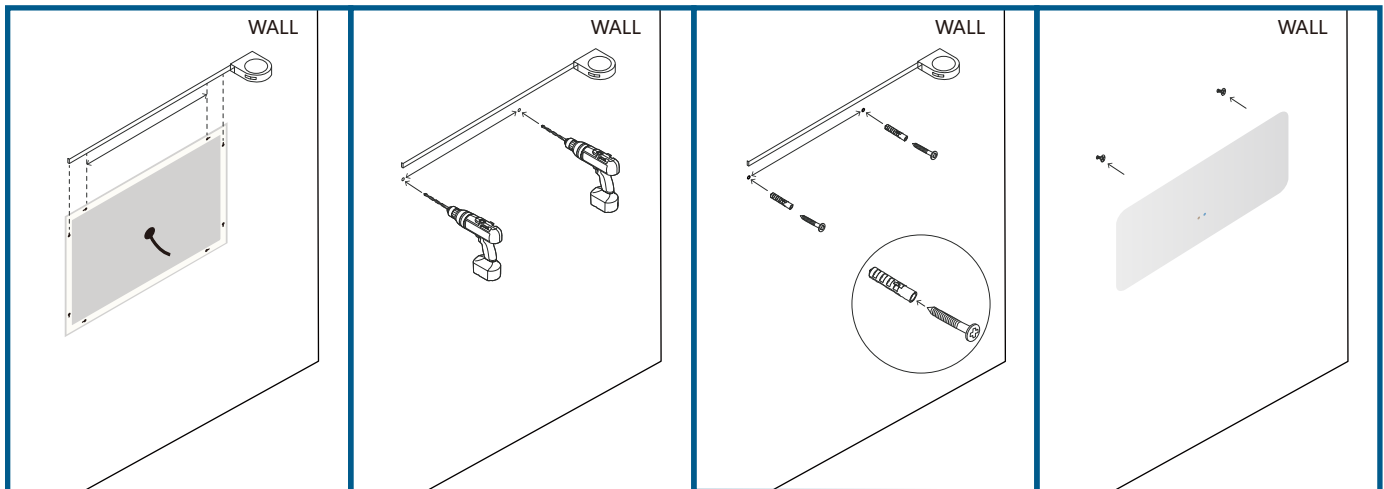
Hammer



Female/male Screw

Other tools may be required

LED MIRROR INSTALLATION



- Measure the distance between the screw holes from the back of the mirror.
- Locate the studs on the wall. They are normally placed 12" to 16" apart from each other. Drill two holes on the studs as per your previous measurement.
- Insert the plastic plugs into the drilled holes and then insert screws into the plastic plugs. Tie up the screws till they remain at least 0.5" - 0.75" outside the wall.
- Hang the mirror on to the wall.