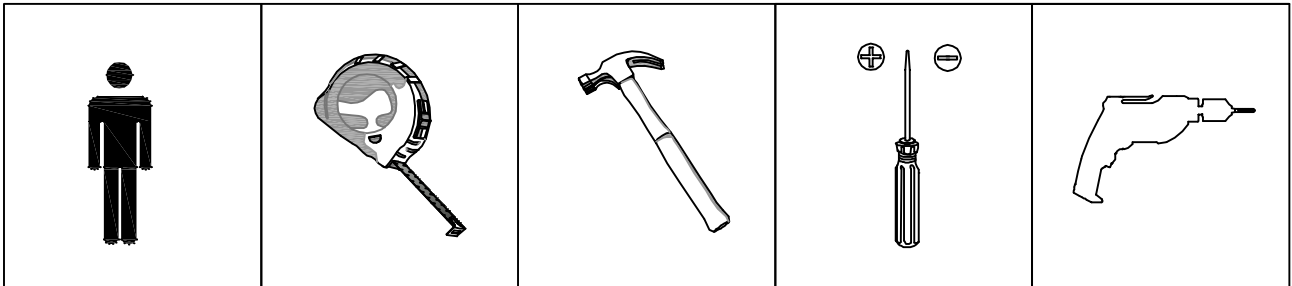
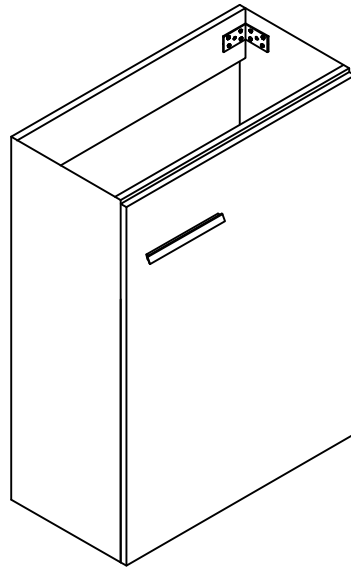







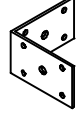
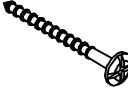

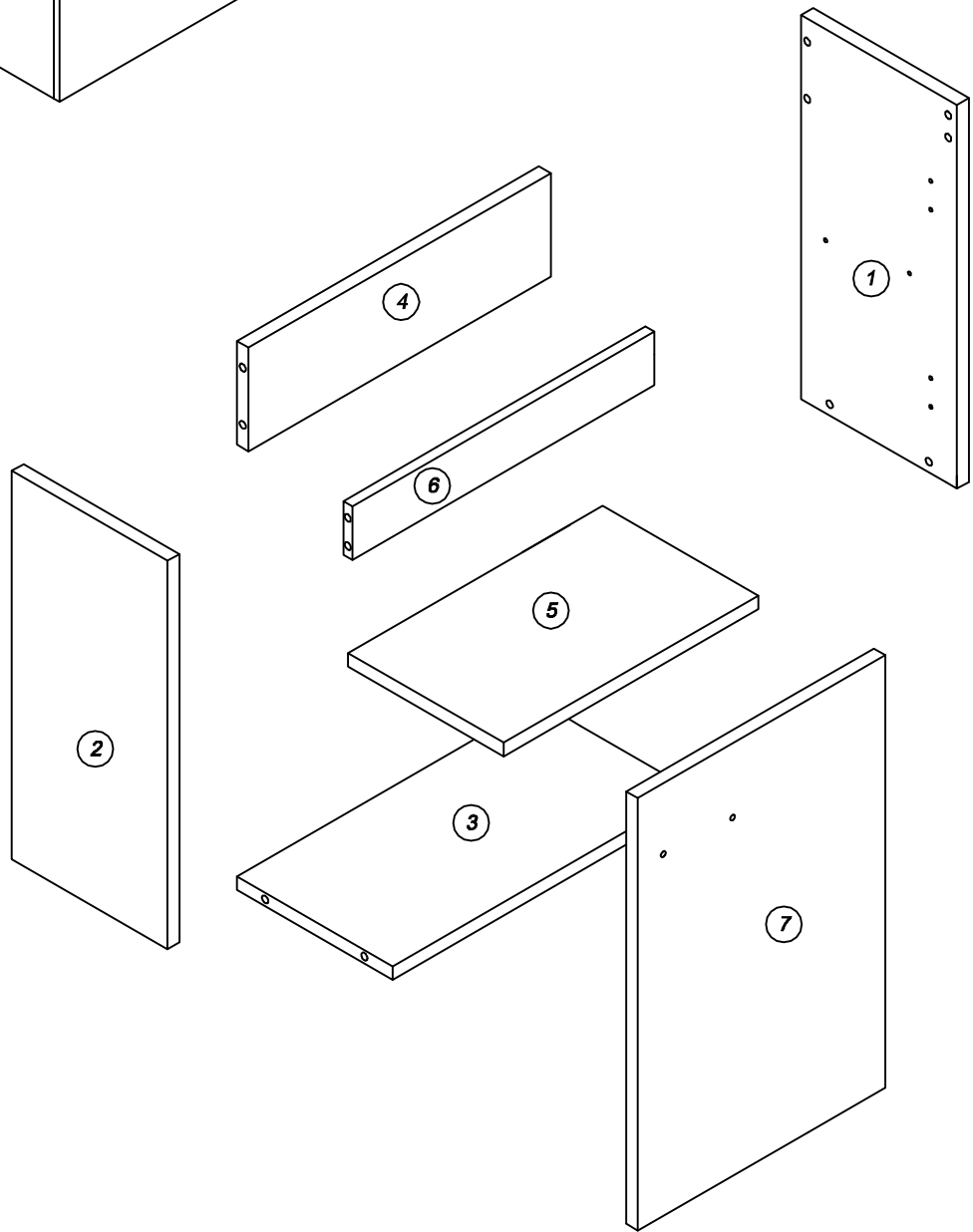
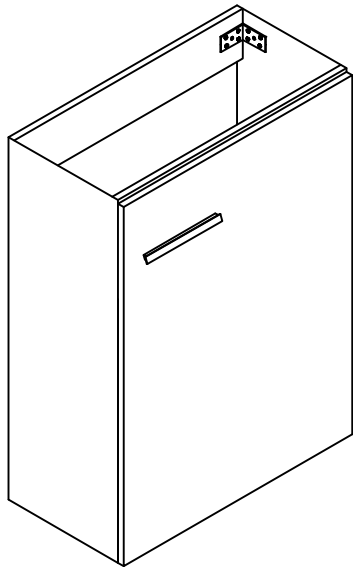


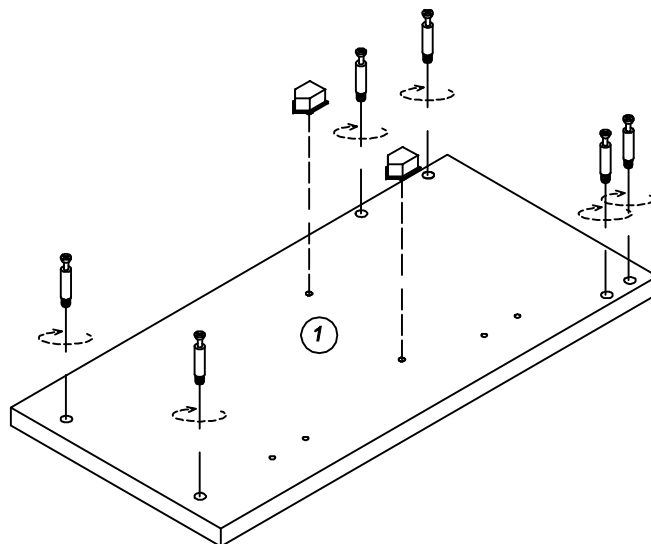
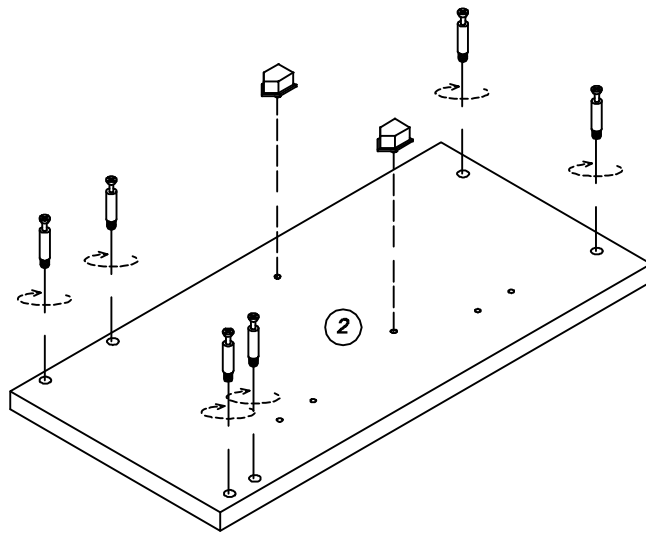
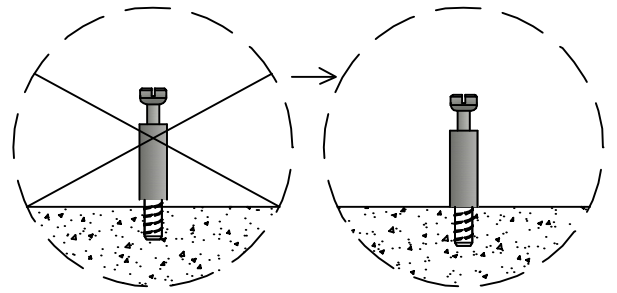
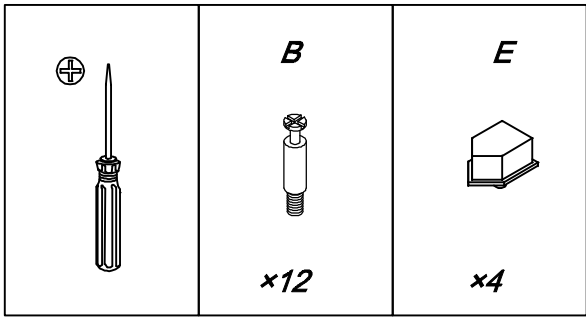
— INSTRUCTION MANUAL —

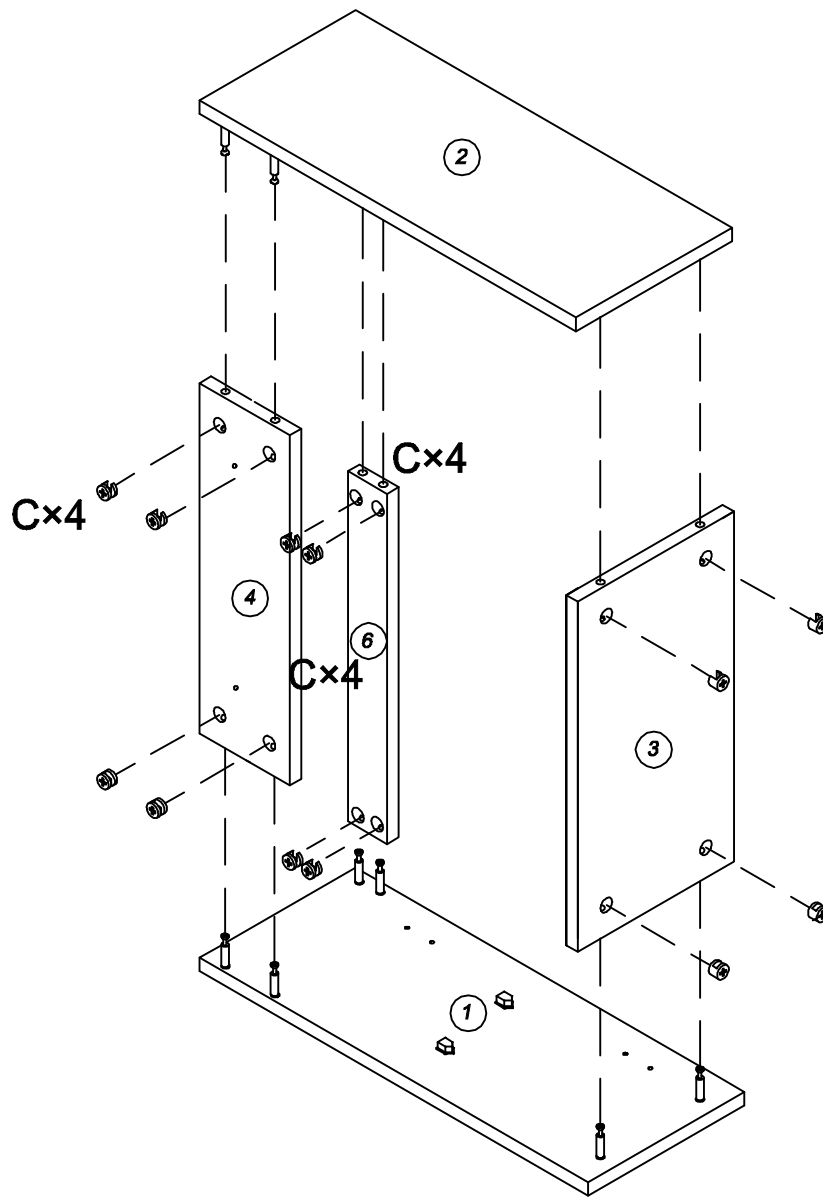
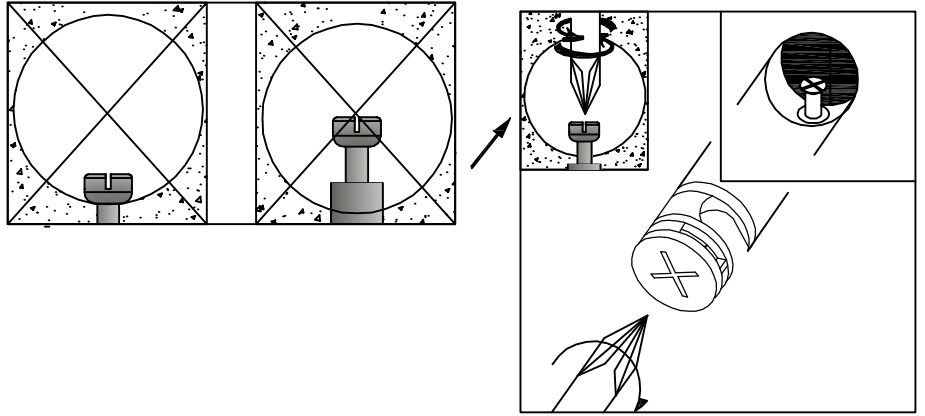
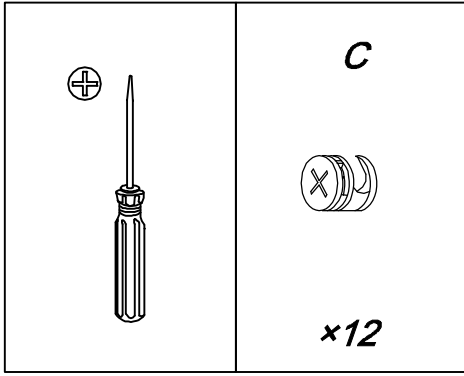
FLORENCE-16









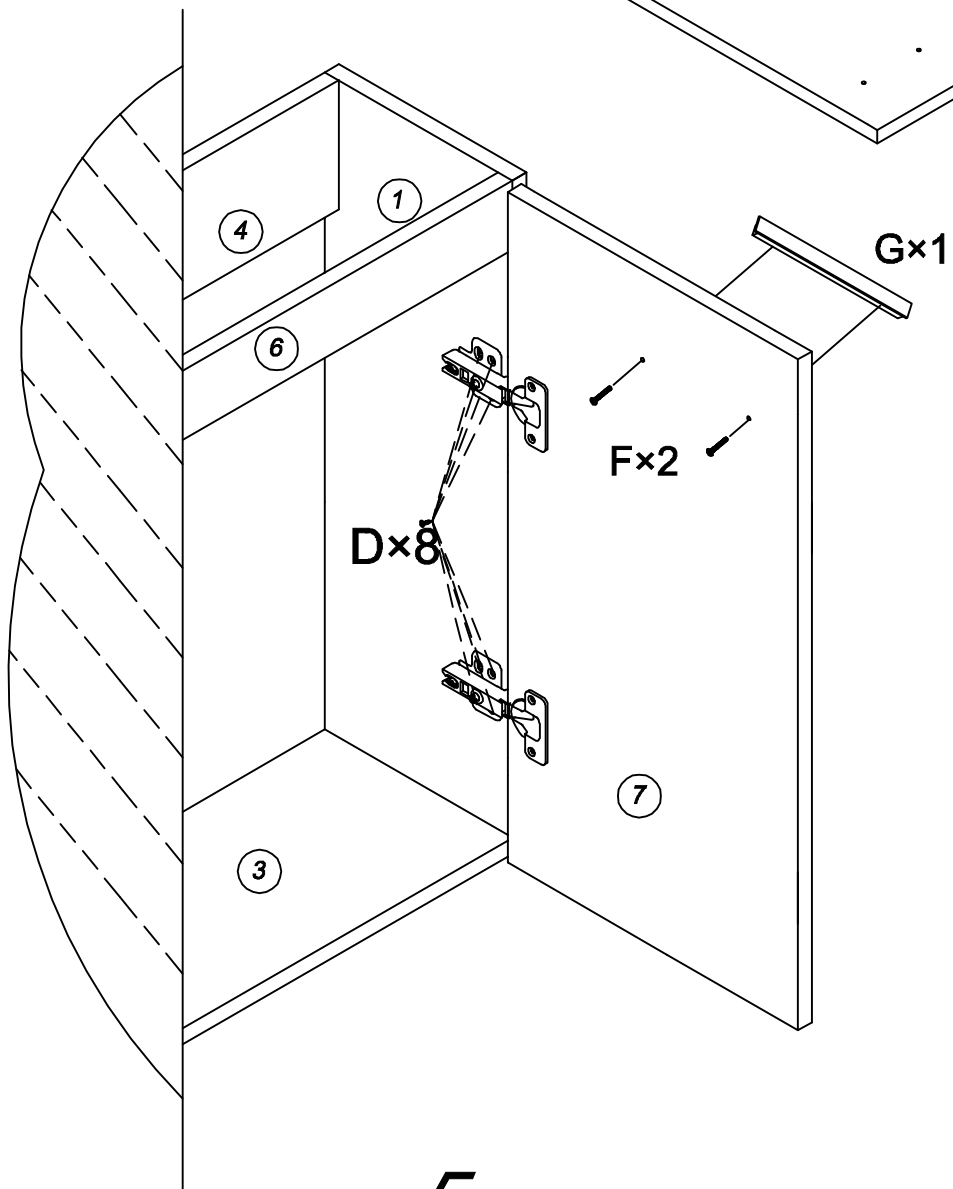
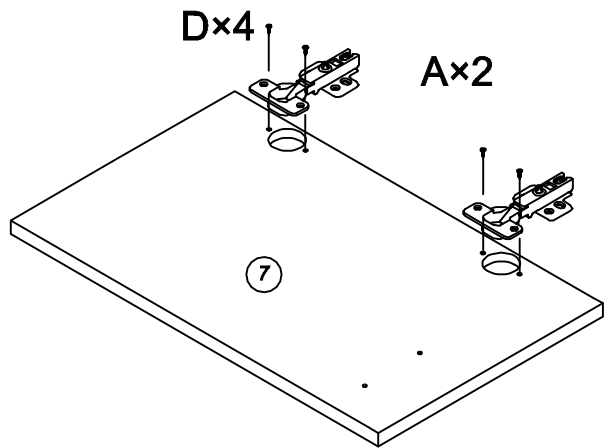
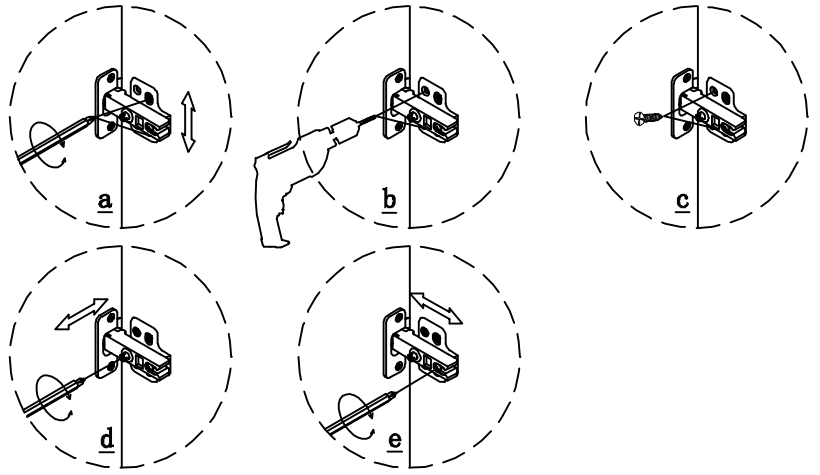
<p>A</p>  <p>x2</p>	<p>B</p>  <p>x12</p>	<p>C</p>  <p>x12</p>	<p>D</p>  <p>$\Phi 3.5 \times 14 \text{mm}$ x28</p>	<p>E</p>  <p>x4</p>
<p>F</p>  <p>$\Phi 4 \times 18 \text{mm}$ x2</p>	<p>G</p>  <p>x1</p>	<p>H</p>  <p>x2</p>	<p>j</p>  <p>$\Phi 5 \times 50 \text{mm}$ x2</p>	<p>k</p>  <p>$\Phi 8 \text{mm}$ x2</p>




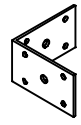







 	<p>A</p>  <p>x2</p>
<p>D</p>  <p>$\Phi 3.5 \times 14\text{mm}$ x12</p>	<p>G</p>  <p>x1</p>
<p>F</p>  <p>$\Phi 4 \times 18\text{mm}$ x2</p>	



D	J	K	H	+
				
Φ3.5×14mm x16	Φ5×50mm x2	Φ8mm x2	x2	

