

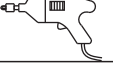

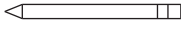


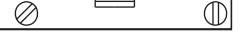


Welcome to use our Shower enclosure. Before you install your shower enclosure, please read these instructions carefully to familiarize yourself with the required tools, materials, and installation sequences. Follow the sections that pertain to your particular installation. In addition to proper installation, read all operating and safety instructions.

Installation Drawing	1
Installation Sequences.....	2-4
Maintenance	5

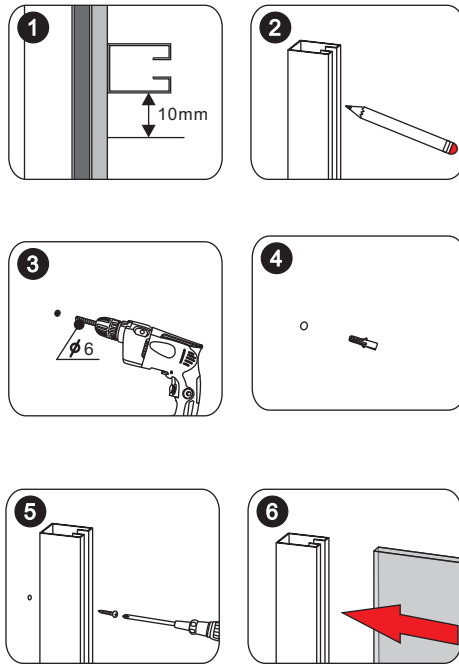
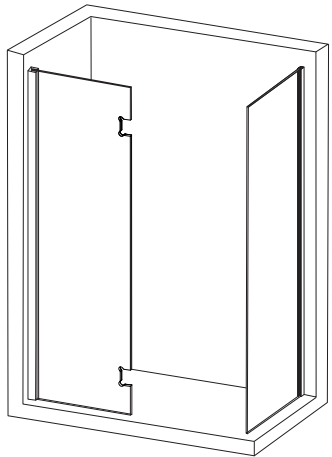
Attentions and maintenance

- 1: Please keep the base clean, avoid hairs or dirties block up drainage pipes. If some water scale on the surface of bases, please use soft wet cloth with tooth paste to clean.
- 2: Please do not use acidic, alkaline or organic solvent (such as alcohol, thinners, ammonia water, acetone and so on) to clean the surface of products, suggest using neutral alcohol to do cleaning.
- 3: For plated items, use soft cloth to clean, do not use tough cloth.
- 4: Alloyed aluminium maintenance: For oxidation coloring (such as golden, matt silver, chrome, polished), do not use tough cloth to clean, can not scratch the surface with sharp objects; If some dirties on the surface, please use alcohol to clean.

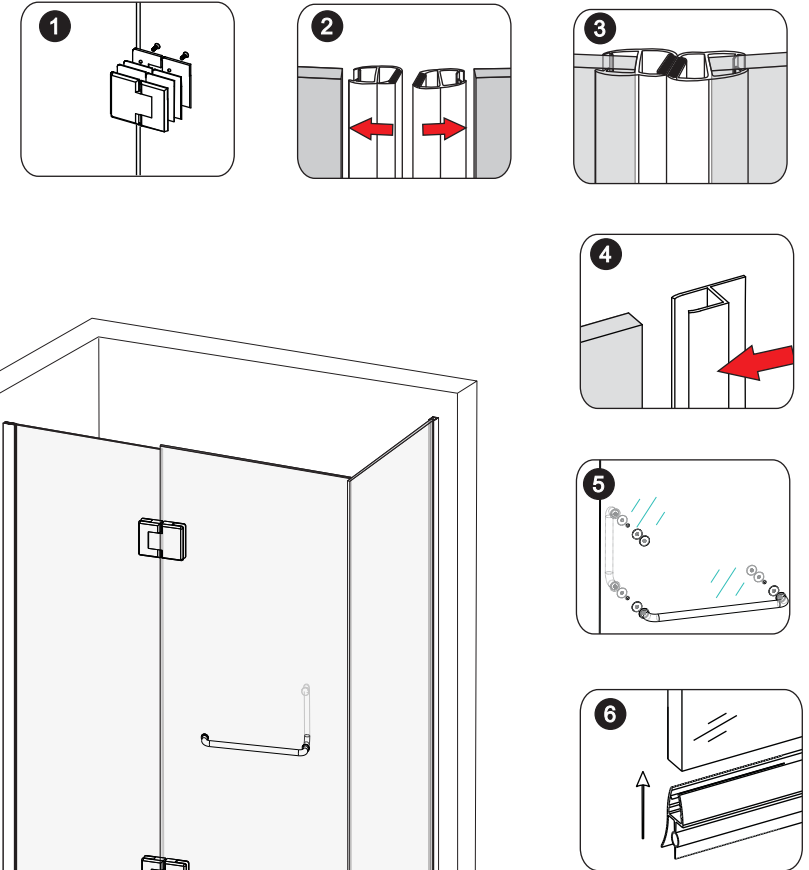
Tools list

Electrical Drill	Drill Bit ($\phi 6, \phi 3.2$)	Pencil
		
Phillips Screwdriver	Measuring Tape	Level
		
Hammer	Caulk	
		

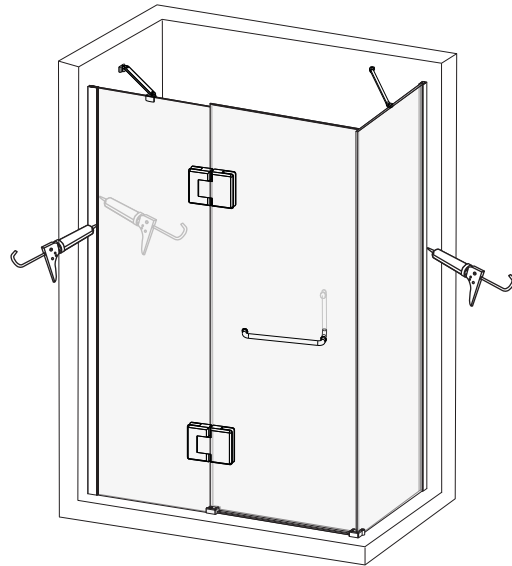
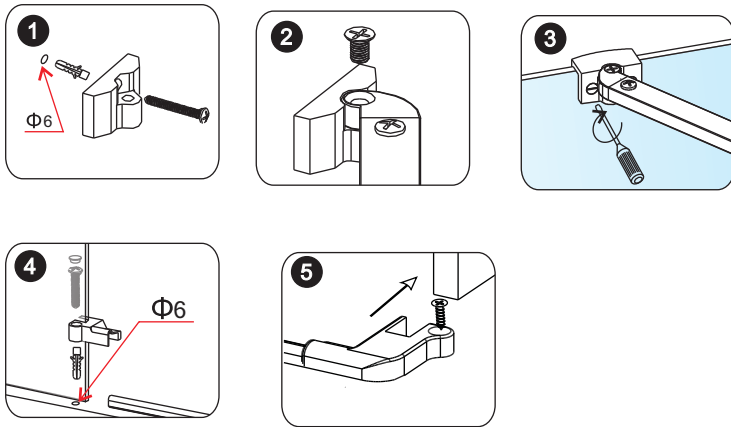
Step 1



Step 2



Step 3



Attentions:
 Showering is banned within 24 hours after silicone; If bad weather such as rainy days or in winter, longer time is needed.

Parts Identification

