

INSTALLATION MANUAL

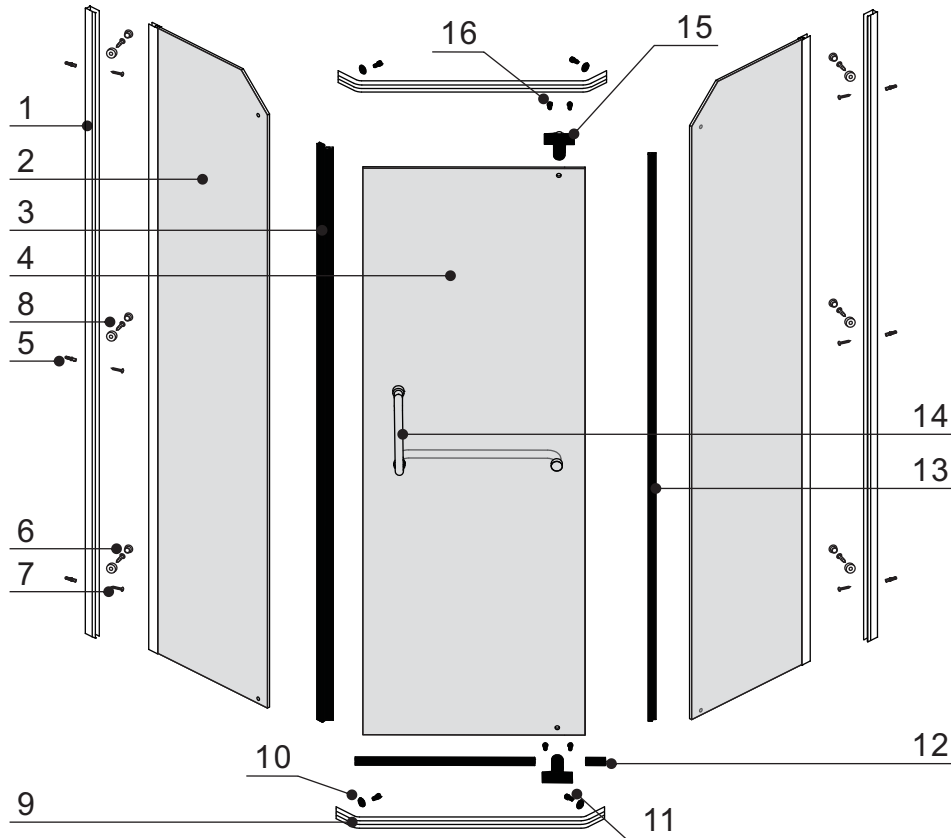
IMPORTANT

- Thoroughly inspect your product before proceeding with the installation.
- The warranty will be void if the product is installed with a conspicuous defect.

CAUTION

- To prevent leaks, silicone must be applied on the outside of the shower and not on the inside!
- Read all instructions carefully before starting the installation.
- Save this manual for future reference.

PARTS LIST



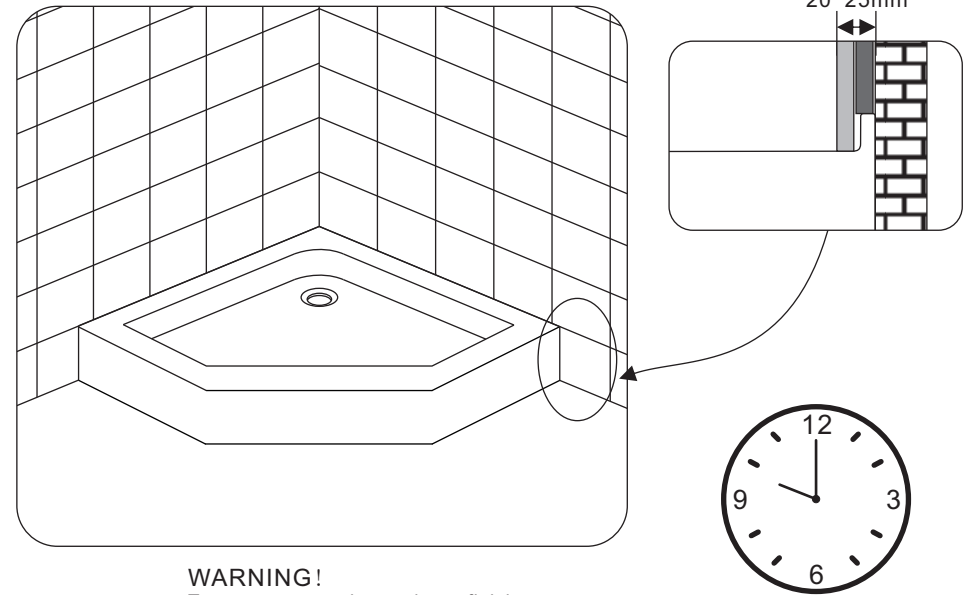
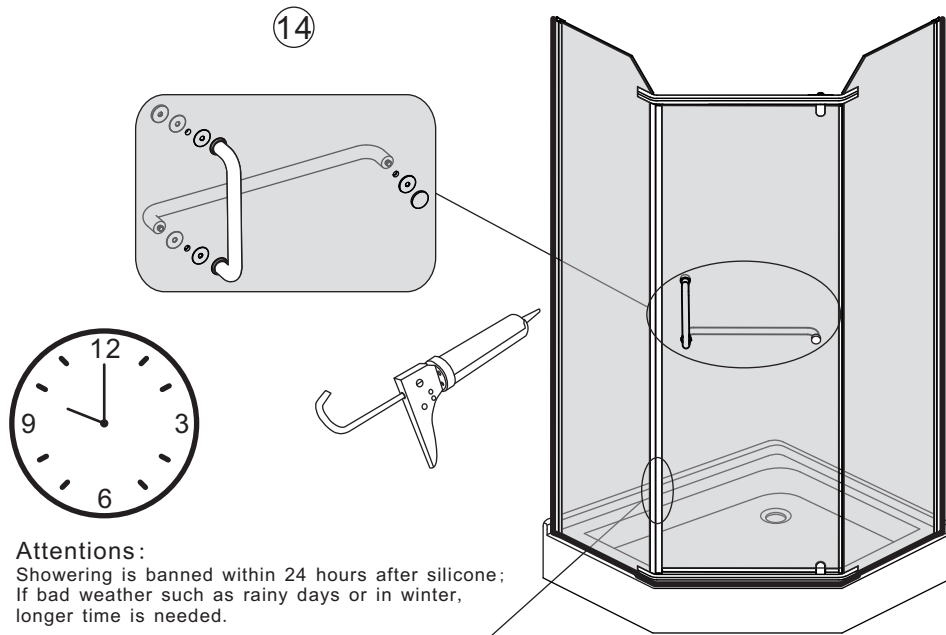
NO.	Description	QTY
①	Wall channel	2
②	Fixed glass	2
③	Magnet strip on the door	1
④	Door glass	1
⑤	Wall anchor	6
⑥	Decorating cap	6
⑦	ST3. 9*32	6
⑧	ST3. 9*9. 5	6

NO.	Description	QTY
⑨	Alloyed aluminium pulling bar	2
⑩	Plastic gasket	4
⑪	Screw M8*15	4
⑫	Bottom water-proof strip	1
⑬	Water-proof strip	1
⑭	Stainless steel handle	1
⑮	Brass pivot	2
⑯	Screw M8*10	4

Attentions and maintenance

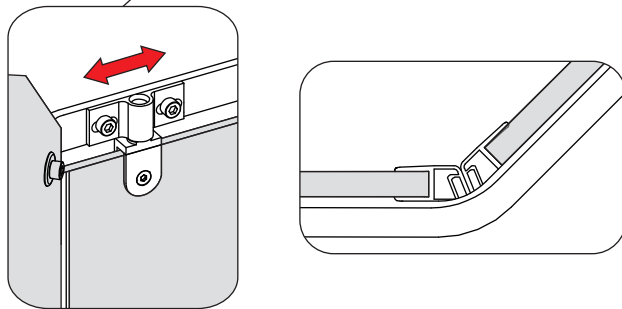
- 1: Please keep the base clean, avoid hairs or dirties block up drainage pipes. If some water scale on the surface of bases, please use soft wet cloth with tooth paste to clean.
- 2: Please do not use acidic, alkaline or organic solvent (such as alcohol, thinners, ammonia water, acetone and so on) to clean the surface of products, suggest using neutral alcohol to do cleaning.
- 3: For plated items, use soft cloth to clean, do not use tough cloth.
- 4: Alloyed aluminium maintenance: For oxidation coloring (such as golden, matt silver, chrome, polished), do not use tough cloth to clean, can not scratch the surface with sharp objects; If some dirties on the surface, please use alcohol to clean.

CONTINUED



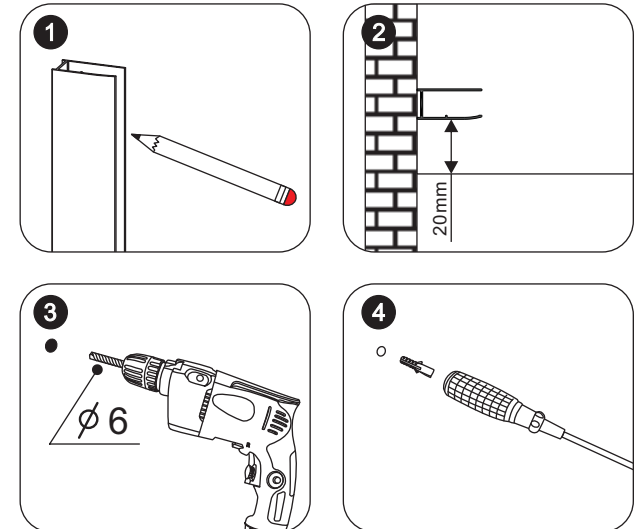
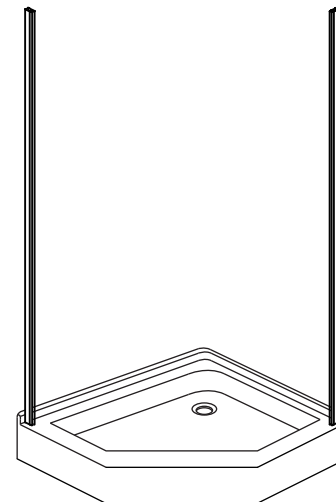
WARNING!

- To protect your shower base finish.
- Wait 24h before proceeding with the installation of the shower door. This will ensure that the finish and mortar are dry.



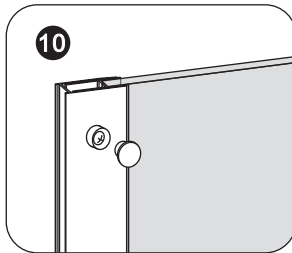
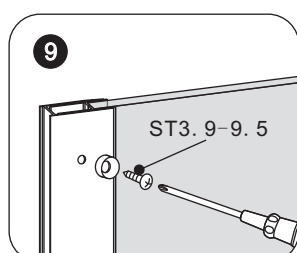
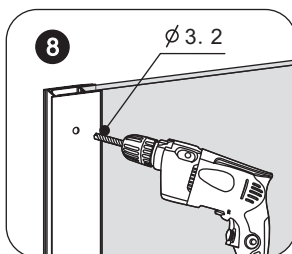
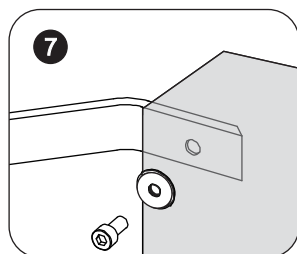
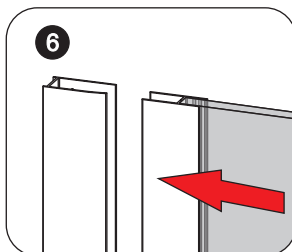
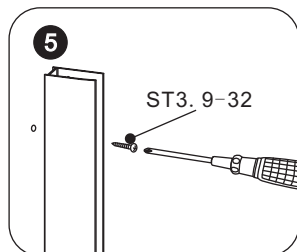
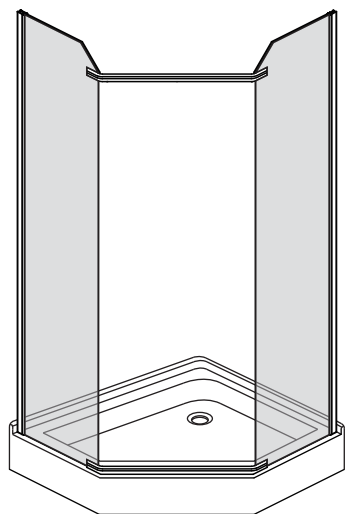
Attention:
When magnet strips on the door are not aligned, please adjust the pivot, make sure that magnet strips attract each other well.

① + ⑤



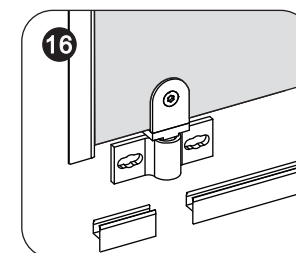
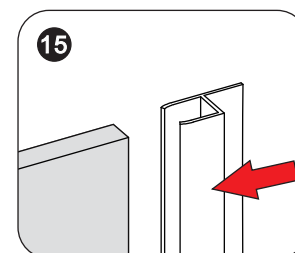
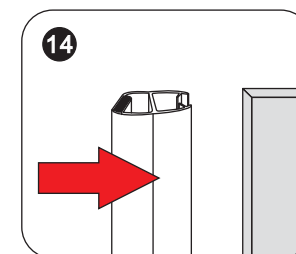
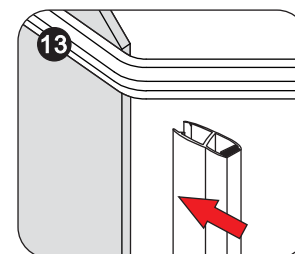
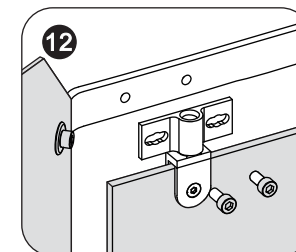
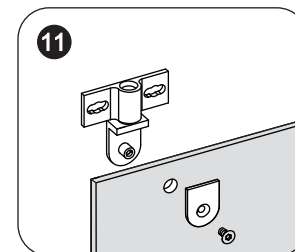
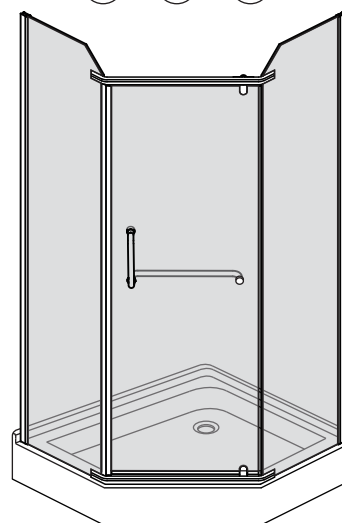
- Install wall channel

②+⑥+⑦+⑧
⑨+⑩+⑪



- Screw up, insert the fixed glass into the wall channel.
- Fix the pulling bars onto the fixed glass.
- Make the wall channel and fixed glass firmly together.

③+④+⑫
⑬+⑮+⑯



- Fix the pivot onto the door glass.
- Fix the door glass with the alloyed aluminium bar, screw up.
- Fix the magnet strip, water-proof strip, bottom water-proof strip onto the glass.